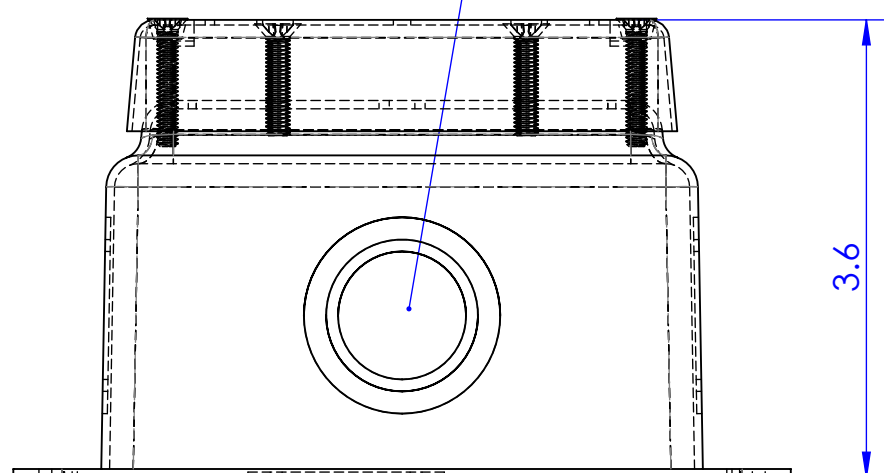
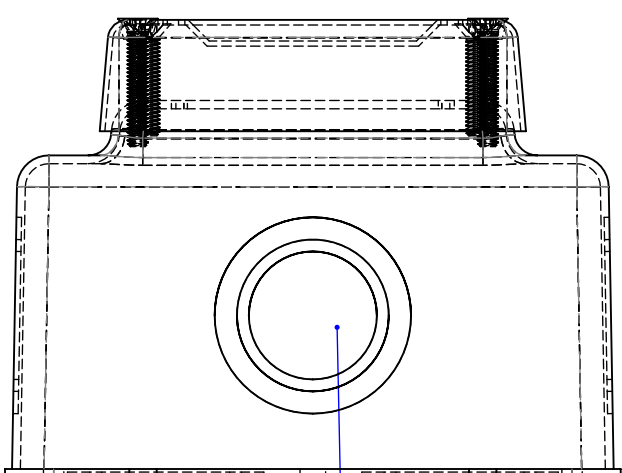
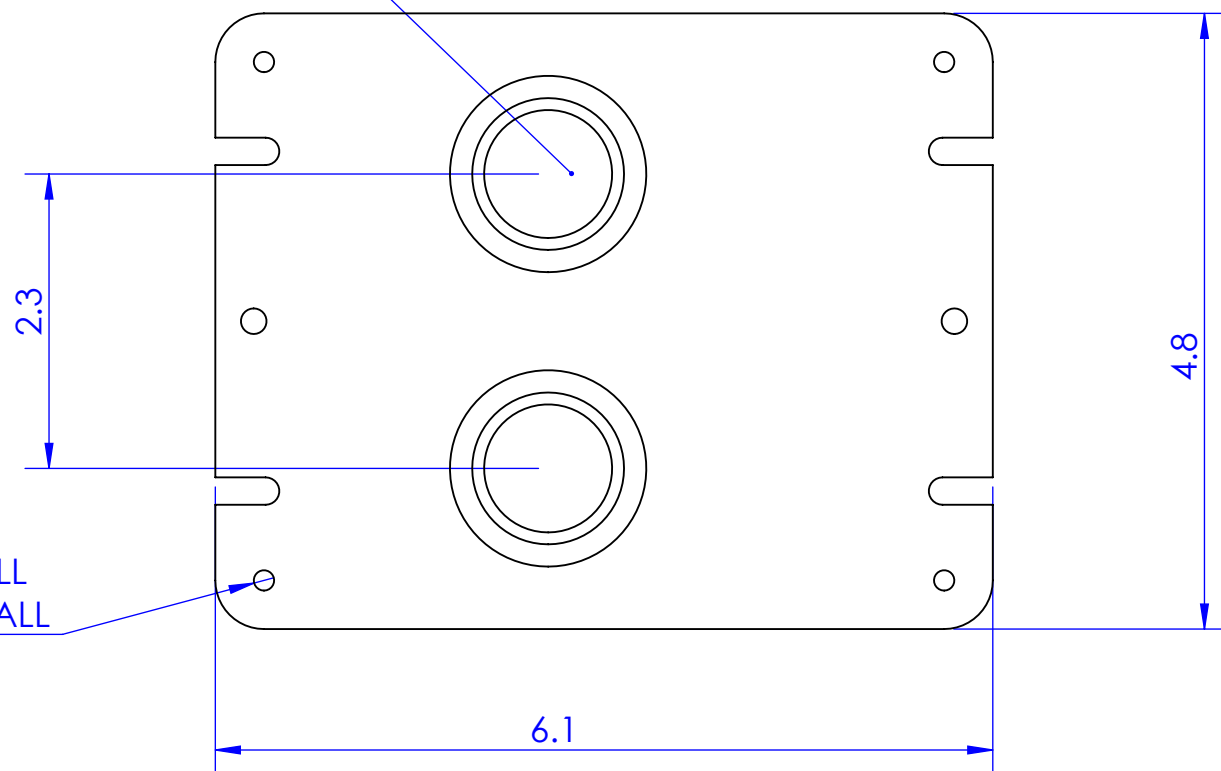


3/4", 1", 1 1/4", INCH KNOCK OUT (TYP)

4X Ø .2 THRU ALL
10-32 UNF THRU ALL

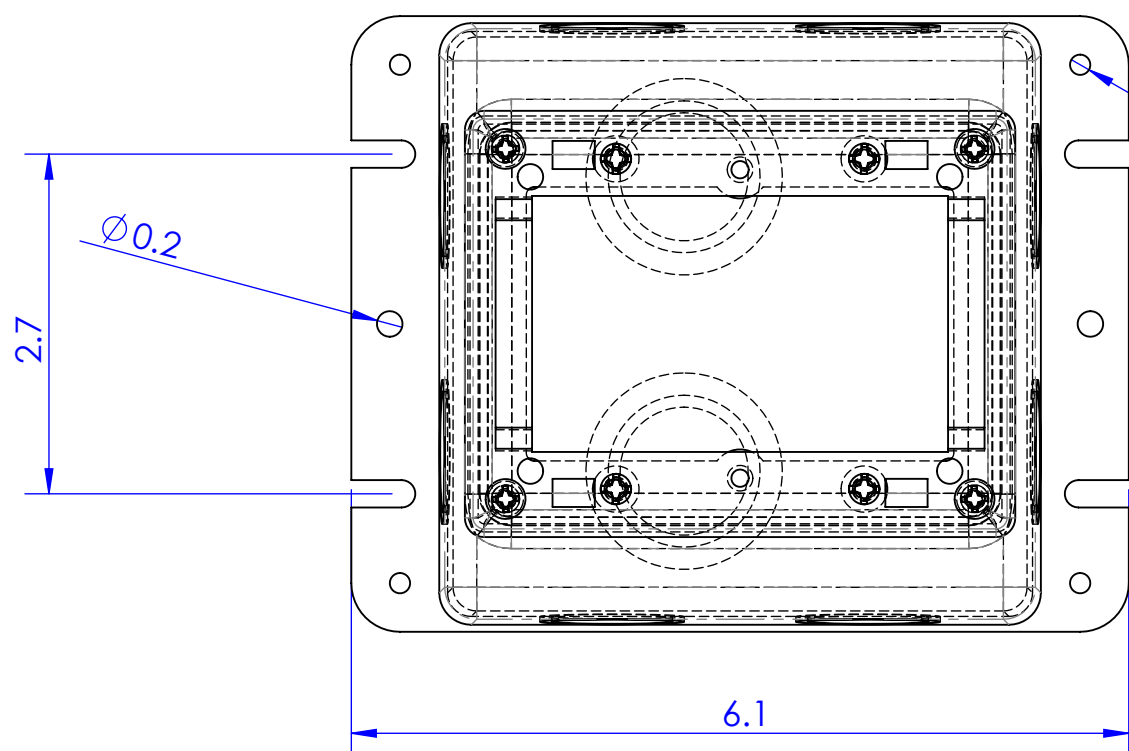


FRONT VIEW

3/4", 1", 1 1/4", INCH
KNOCK OUT (TYP)

3/4", 1", 1 1/4", INCH
KNOCK OUT (TYP)

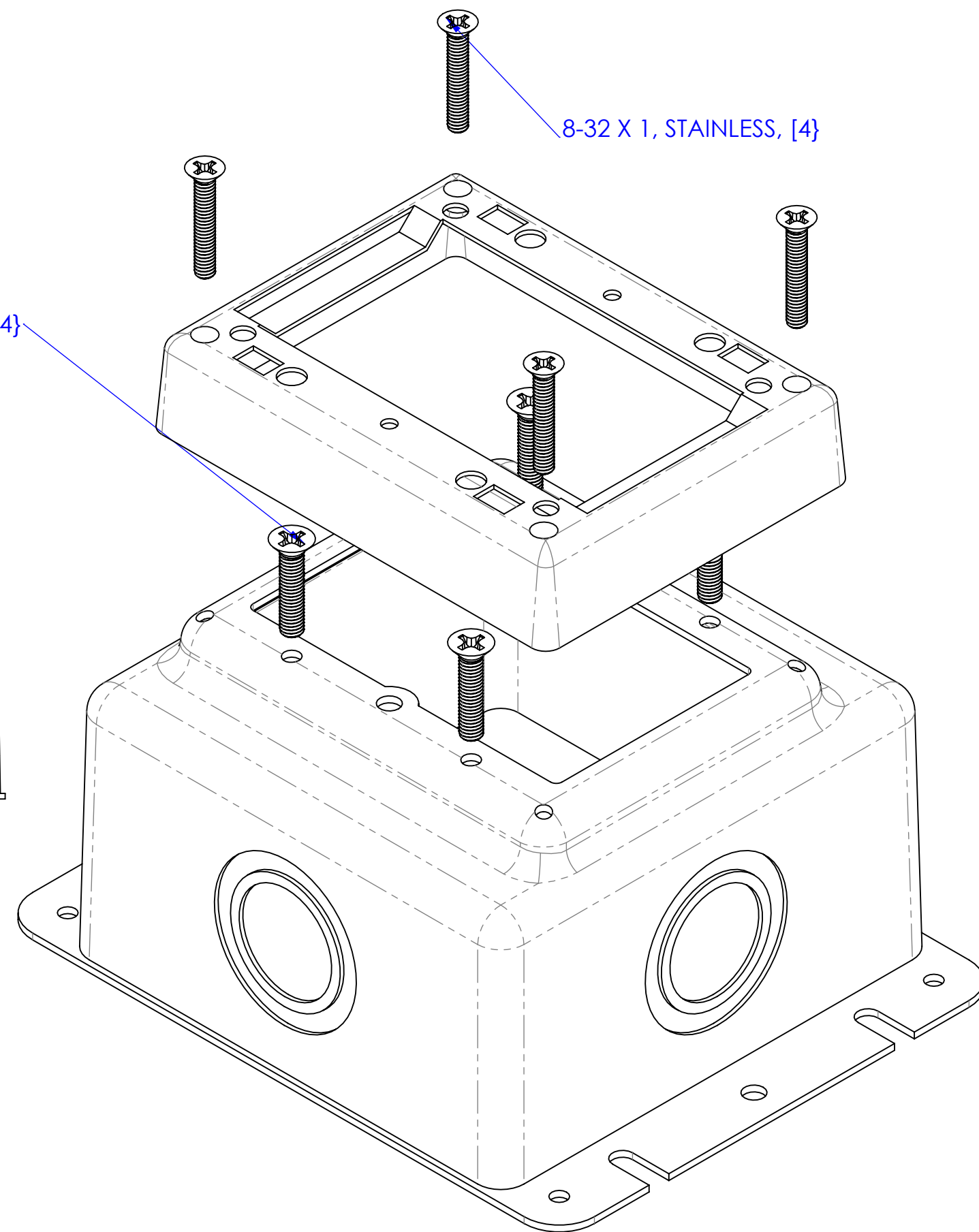
4X Ø .2 THRU ALL
10-32 UNF THRU ALL



DESCRIPTION:
 One gang, deep stamped steel floor box »»»» 3 7/8" H x 4 13/16" L x 4 13/16" W; 50.3 Cu. In.
 All boxes UL listed #514A
 Tile frames not included with stamped steel floor box.
 All tile frames 5/8" overall height
 All boxes pre-pour adjustment of 2 1/4" and after pour adjustment 1/2"

10-32 X .8, STAINLESS, [4]

8-32 X 1, STAINLESS, [4]



ISOMETRIC VIEW

LEW ELECTRIC
FITTINGS COMPANY
 SERVING THE ELCTRICAL INDUSTRY SINCE 1901
 1801 W. St. Charles Rd. Maywood, IL 60153
 PHONE: 708-345-2075

UNLESS OTHERWISE SPECIFIED:	NAME	DATE	TITLE:
DIMENSIONS ARE IN INCHES	P.J.G.	7/19/2012	
TOLERANCES:			
FRACTIONAL ±			
ANGULAR: MACH ± BEND ±			
TWO PLACE DECIMAL ±			
THREE PLACE DECIMAL ±			
INTERPRET GEOMETRIC TOLERANCING PER:	COMMENTS:		SIZE DWG. NO. REV
MATERIAL			C -
FINISH			WEIGHT: SHEET 2 OF 6
DO NOT SCALE DRAWING			