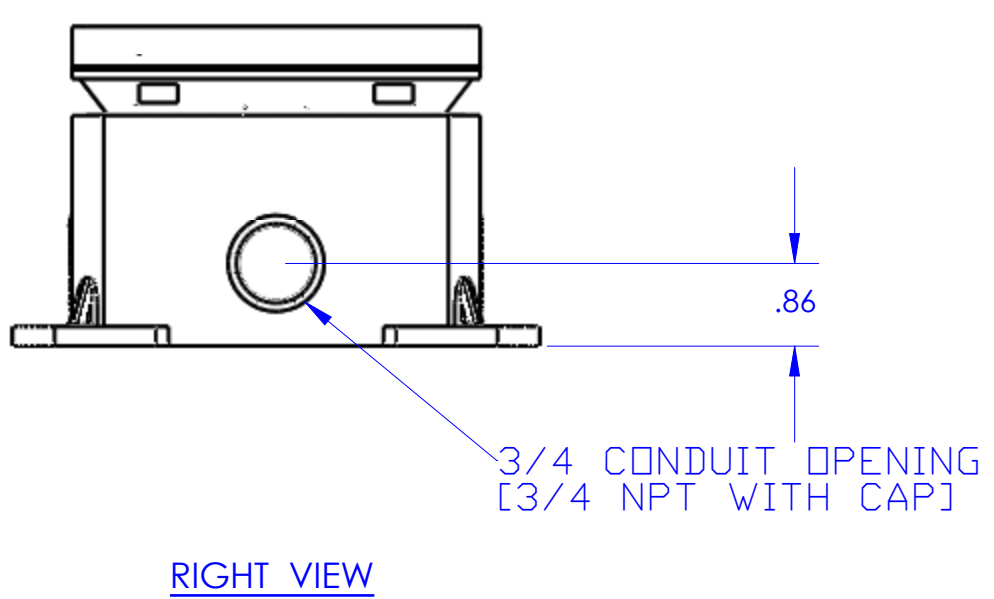
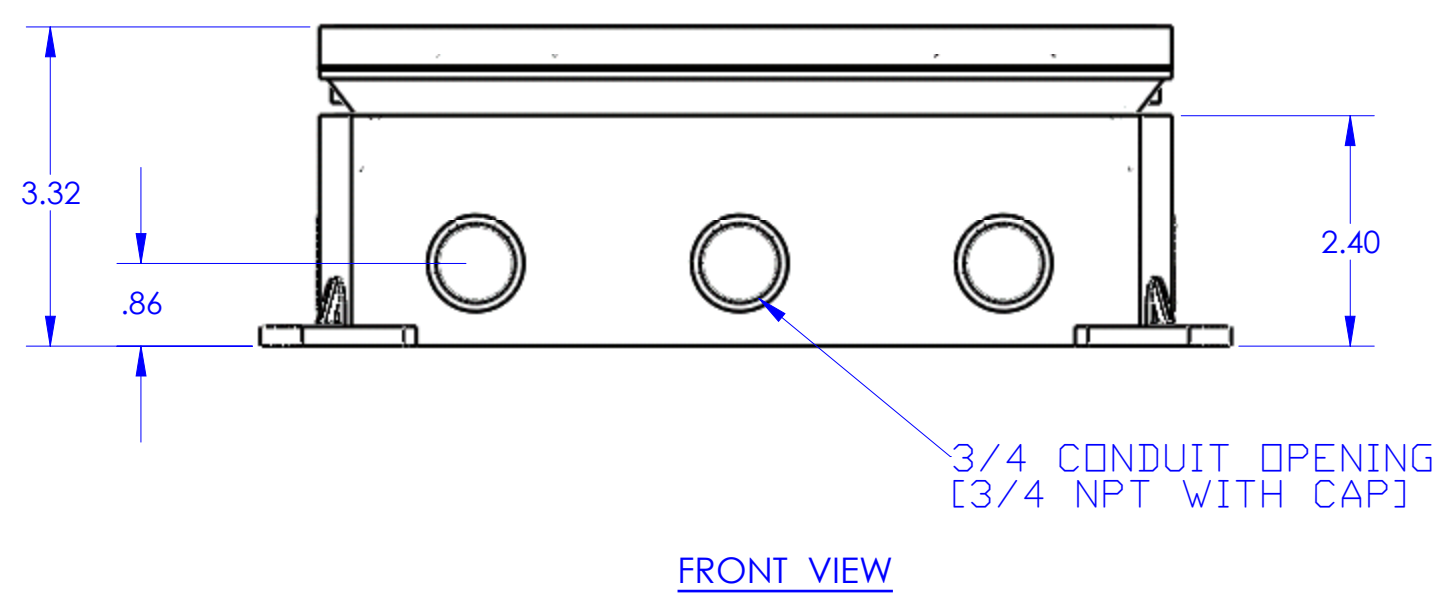
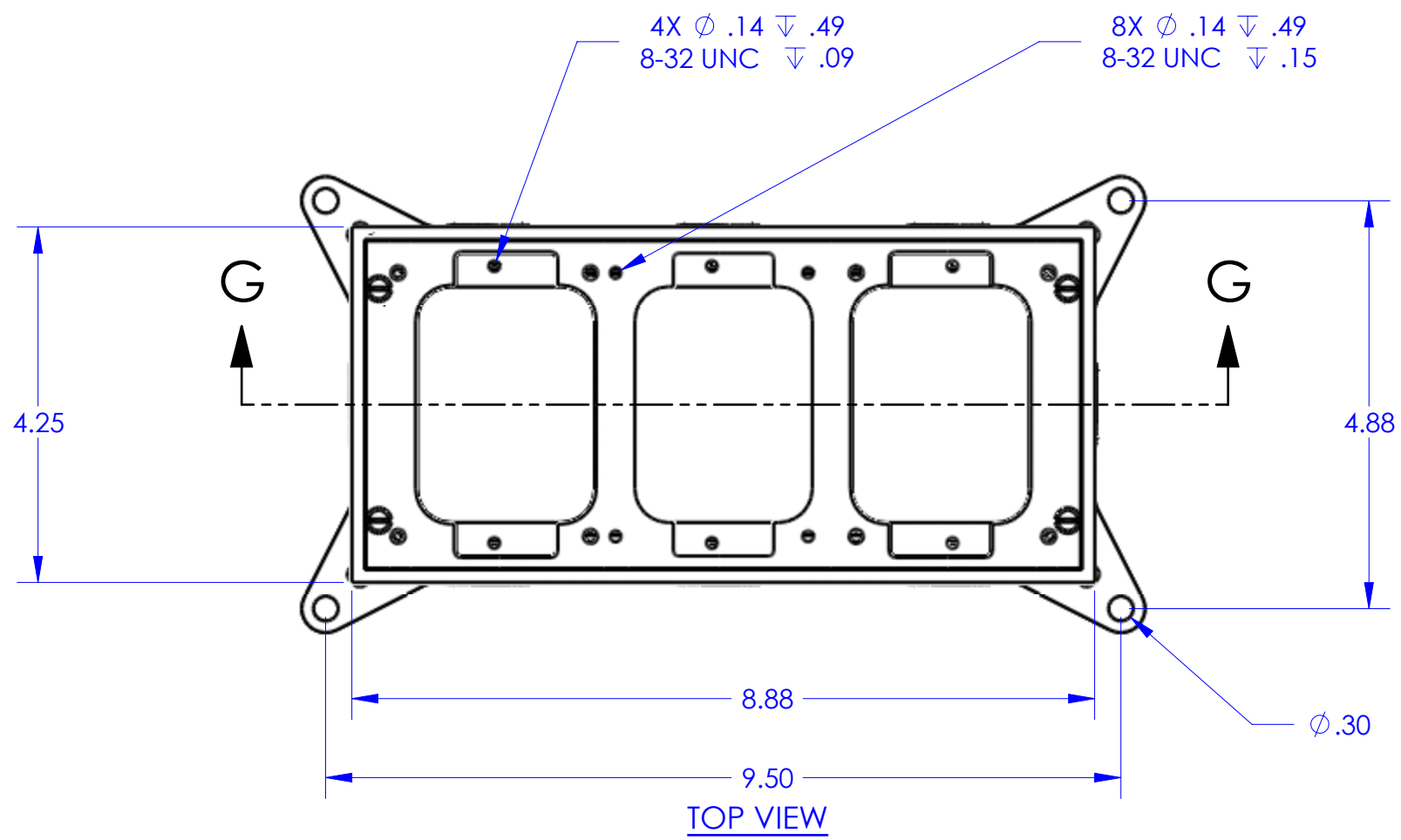
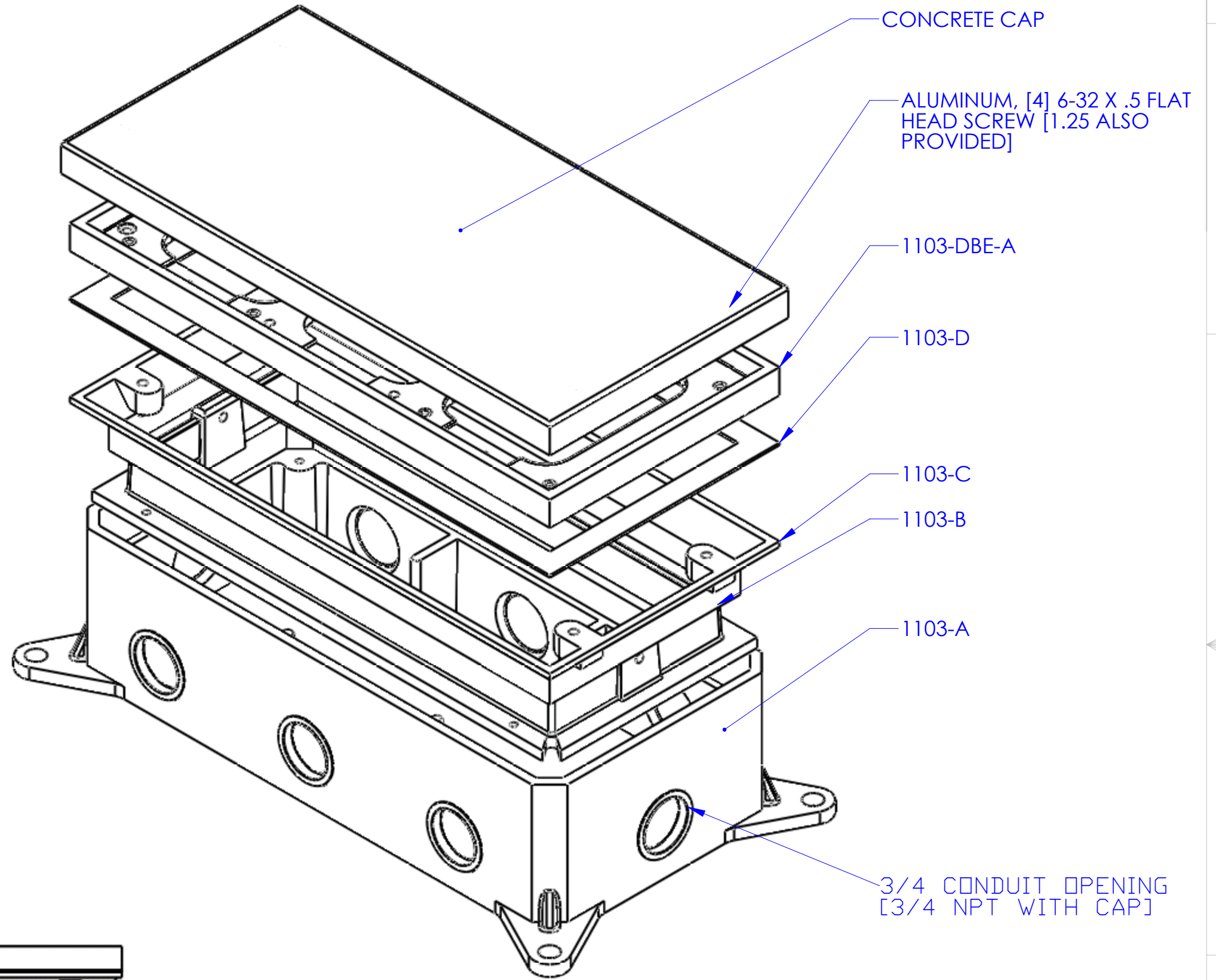
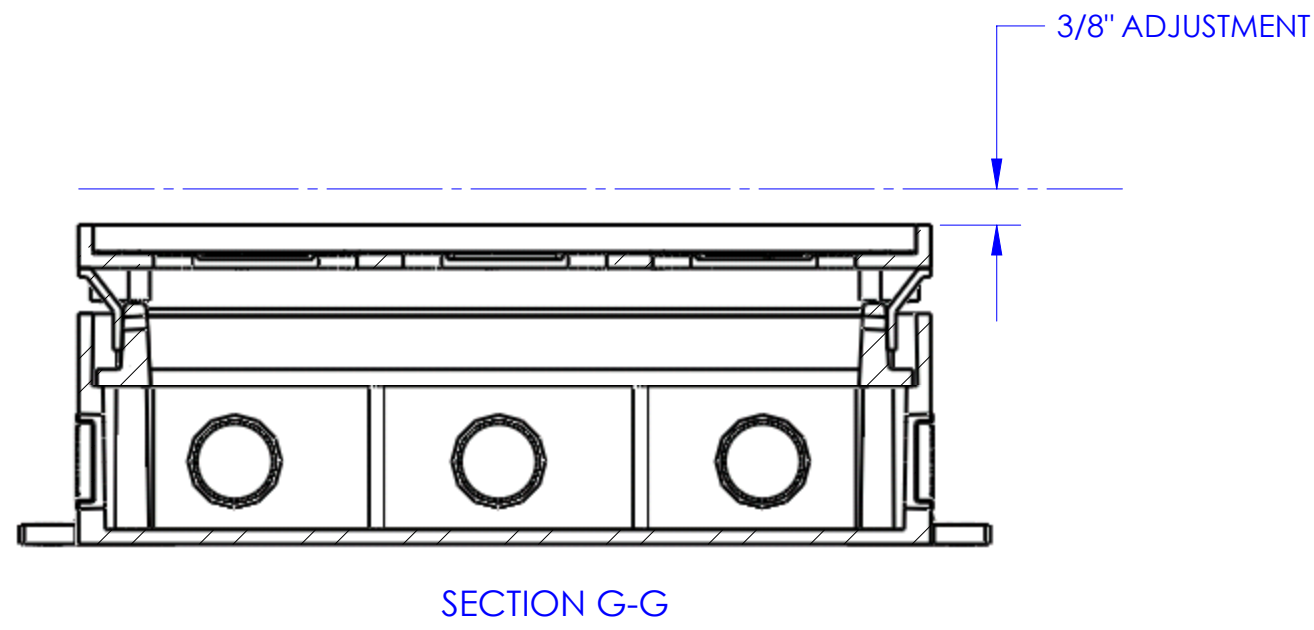
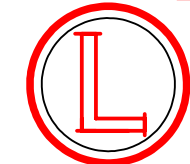


DESCRIPTION:  
ALUMINUM, DEEP, THREE GANG CAST BOX (PARTIONED)-  
FULLY ADJUSTABLE





**LEW ELECTRIC  
FITTINGS COMPANY**  
SERVING THE ELCTRICAL INDUSTRY SINCE 1901

1801 W. St. Charles Rd. Maywood, IL 60153  
PHONE: 708-345-2075

|                                      |  |           |                  |
|--------------------------------------|--|-----------|------------------|
| UNLESS OTHERWISE SPECIFIED:          |  | NAME      | DATE             |
| DIMENSIONS ARE IN INCHES             |  | DRAWN     | P.J.G. 8/30/2007 |
| TOLERANCES:                          |  |           |                  |
| FRACTIONAL: $\pm$                    |  |           |                  |
| ANGULAR: MACH $\pm$ BEND $\pm$       |  |           |                  |
| TWO PLACE DECIMAL $\pm$              |  |           |                  |
| THREE PLACE DECIMAL $\pm$            |  |           |                  |
| INTERPRET GEOMETRIC TOLERANCING PER: |  |           |                  |
| MATERIAL                             |  | COMMENTS: |                  |
| FINISH                               |  |           |                  |
| DO NOT SCALE DRAWING                 |  |           |                  |

TITLE:  
**1103-58-A**

|                  |                     |                 |
|------------------|---------------------|-----------------|
| SIZE<br><b>A</b> | DWG. NO.<br>1001420 | REV<br><b>A</b> |
|------------------|---------------------|-----------------|

WEIGHT: SHEET 2 OF 12