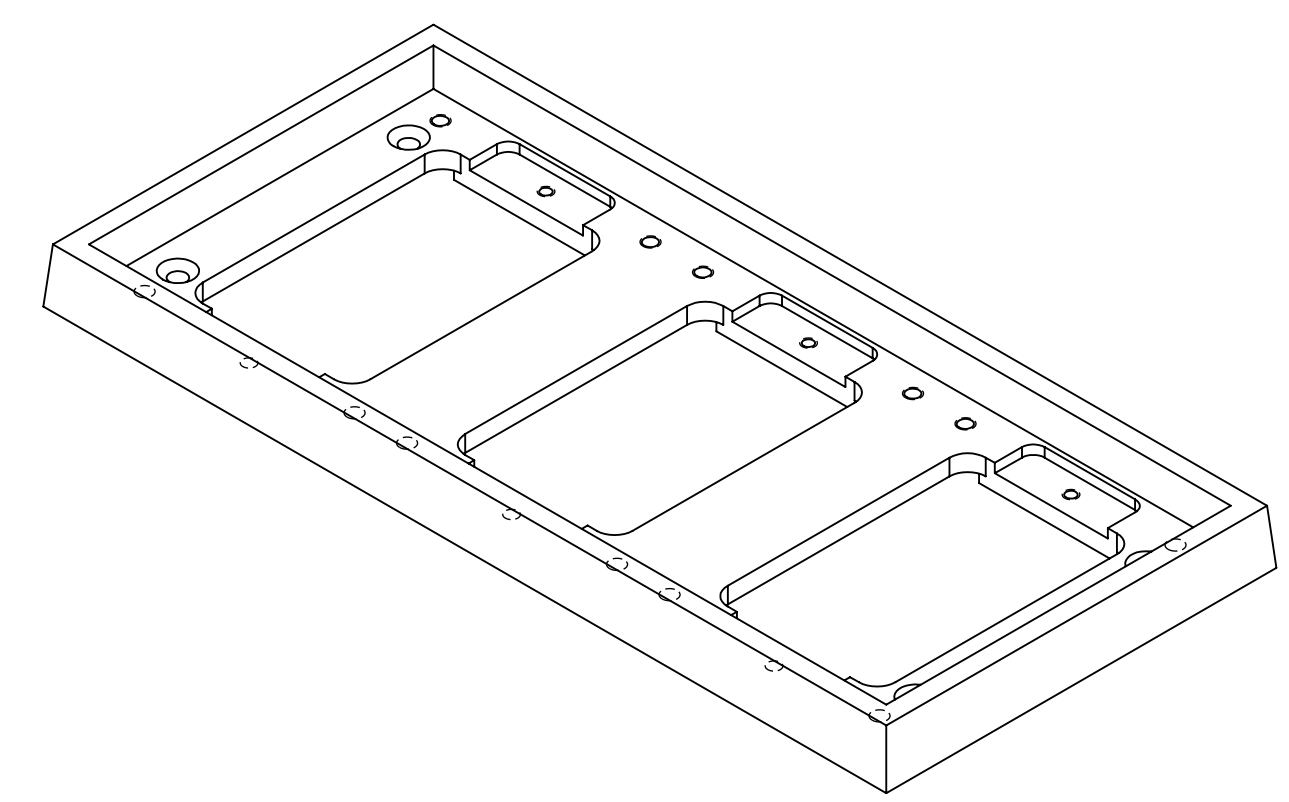
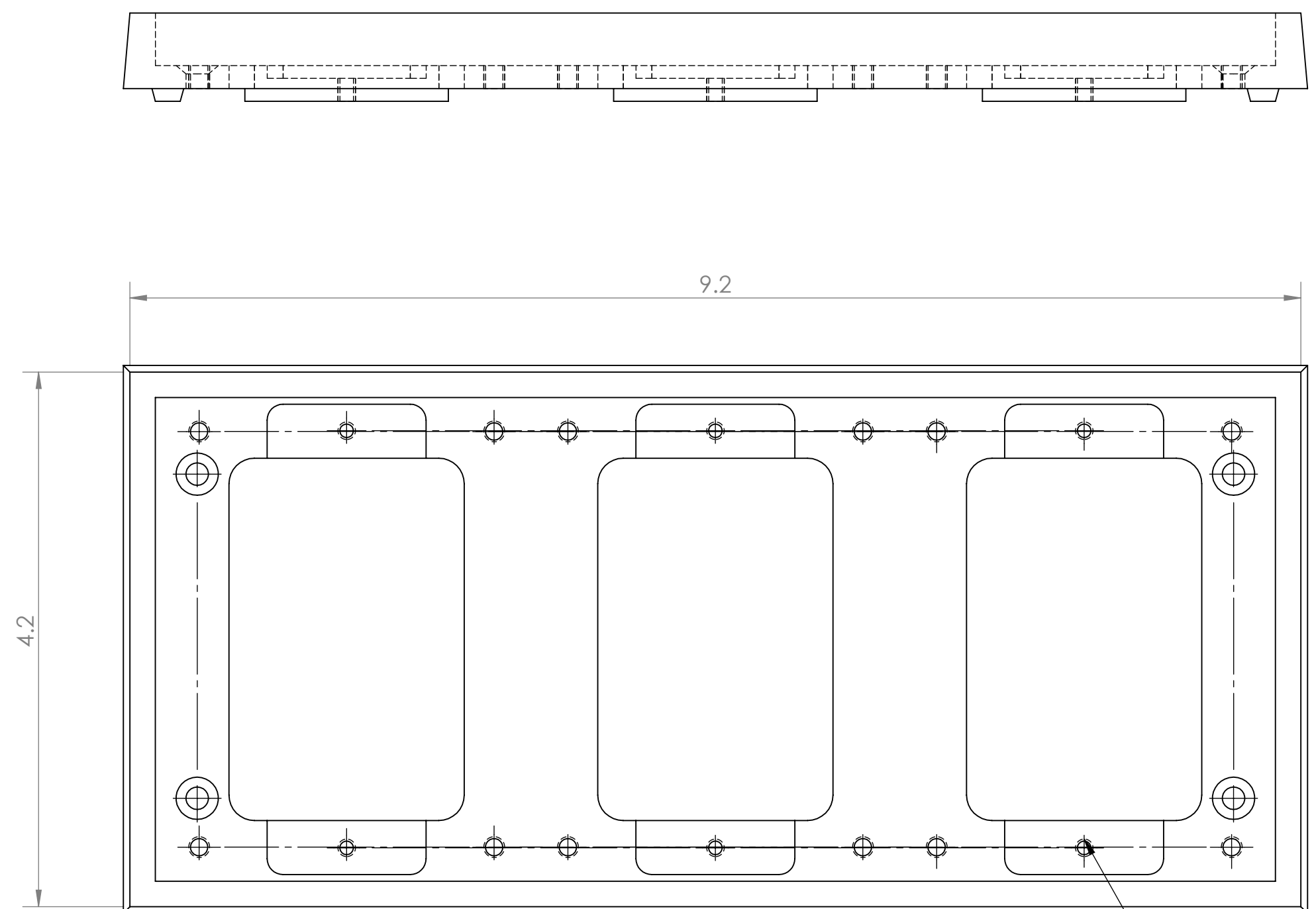
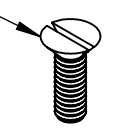


DESCRIPTION:  
Three gang, brass tile frame 9 5/16" L x 4 5/16" W

8-32 X .75 Brass Screw



**LEW ELECTRIC**  
**FITTINGS COMPANY**  
SERVING THE ELCTRICAL INDUSTRY SINCE 1901  
1801 W. St. Charles Rd. Maywood, IL 60153  
PHONE: 708-345-2075

UNLESS OTHERWISE SPECIFIED:	NAME	DATE	TITLE:
DIMENSIONS ARE IN INCHES	DRAWN	9/12/2012	
TOLERANCES:			1103-DBE-B
FRACTIONAL: ±			
ANGULAR: MATCH ± BEND ±			
TWO PLACE DECIMAL ±			
THREE PLACE DECIMAL ±			SIZE DWG. NO. REV
INTERPRET GEOMETRIC TOLERANCING PER:	COMMENTS:		<b>C</b> -
MATERIAL			WEIGHT: SHEET 8 OF 12
FINISH			
DO NOT SCALE DRAWING			