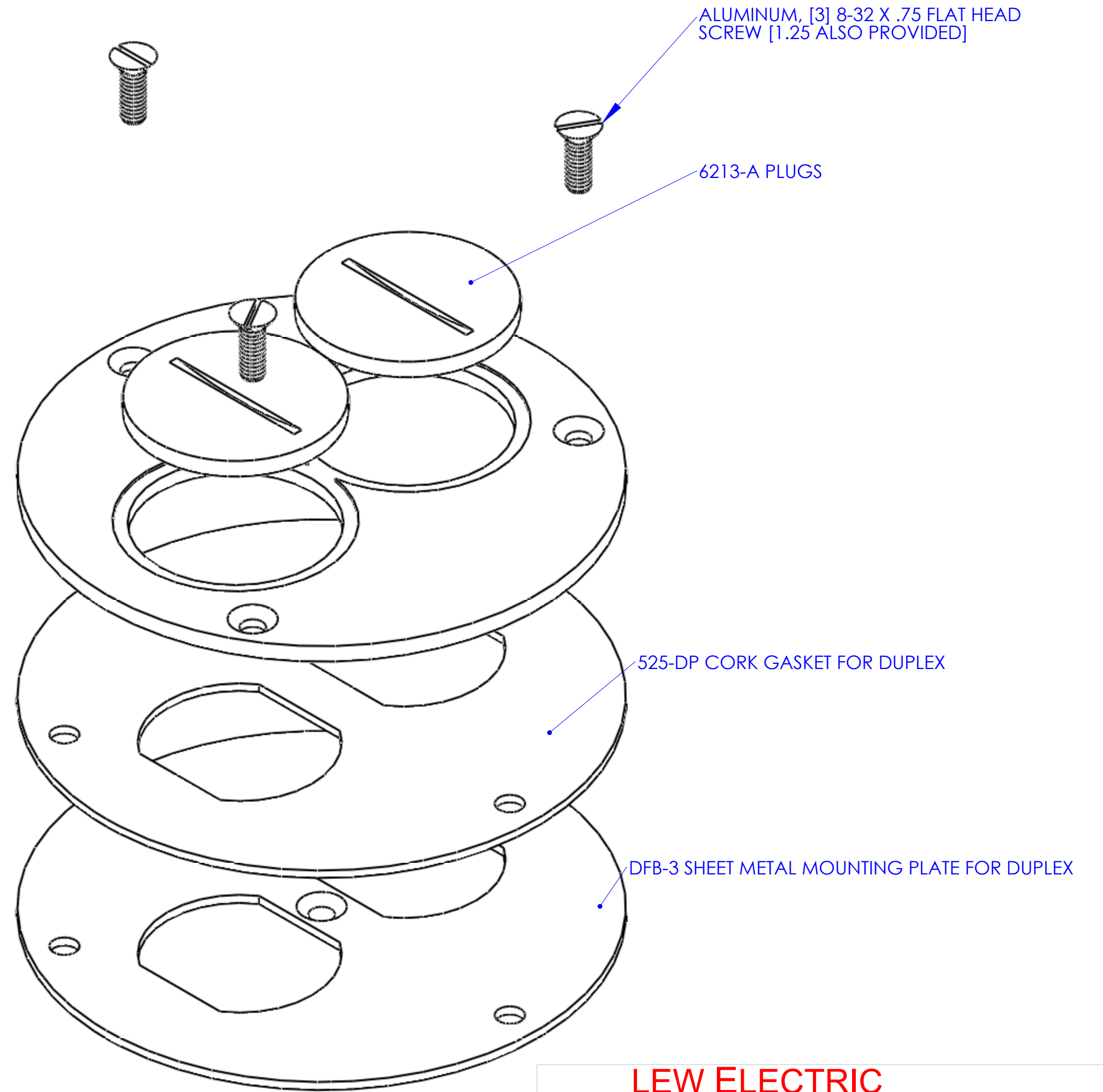
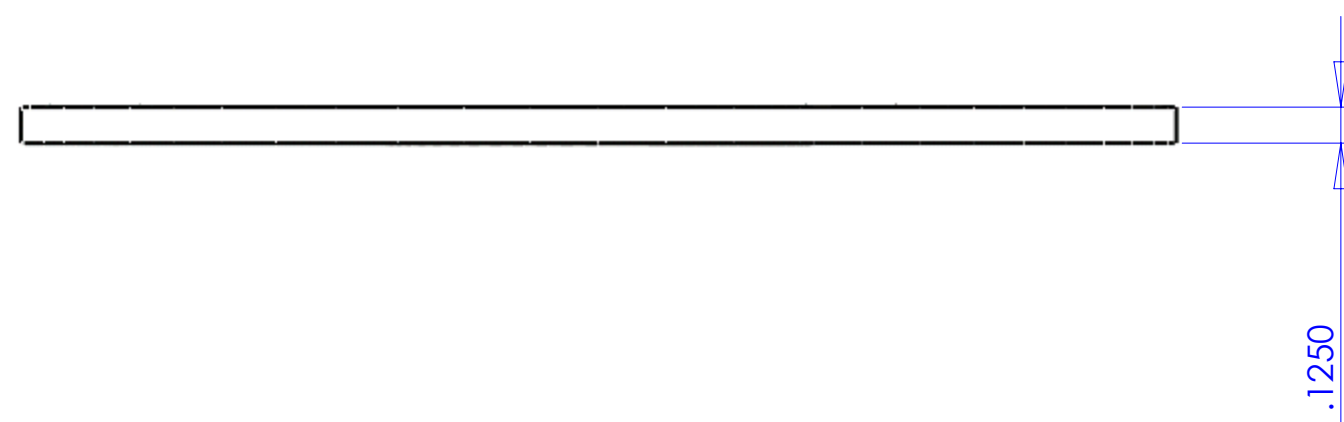
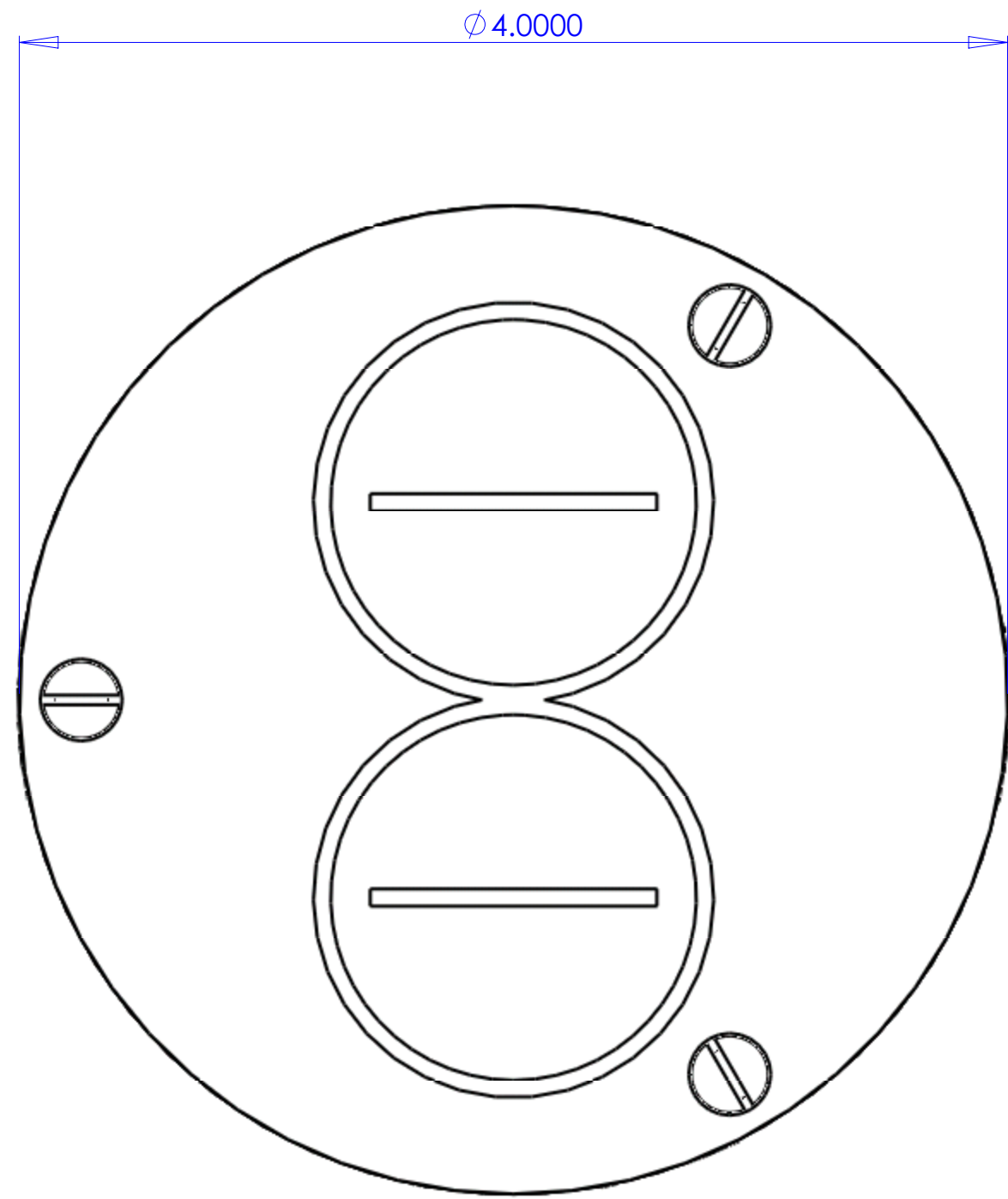
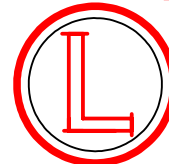


DESCRIPTION:
 ALUMINUM, 4" COVER (1/8" THICK) WITH (2) 1-1/2" SCREW
 PLUGS FOR DUPLEX





**LEW ELECTRIC
 FITTINGS COMPANY**
 SERVING THE ELECTRICAL INDUSTRY SINCE 1901
 371 Randy Rd, Carol Stream IL 60188
 PHONE: 630-665-2075

UNLESS OTHERWISE SPECIFIED:	NAME	DATE	
DIMENSIONS ARE IN INCHES FRACTIONAL ± DECIMAL ± ANGULAR: MACH ± BEND ± TWO PLACE DECIMAL ± THREE PLACE DECIMAL ±	DRAWN	P.J.G.	9/25/2007
INTERPRET GEOMETRIC TOLERANCING PER: MATERIAL	COMMENTS:		
FINISH			
DO NOT SCALE DRAWING			
TITLE:			523-DP-A
SIZE	DWG. NO.	REV	
C	100124	A	
WEIGHT:	SHEET 10 OF 13		