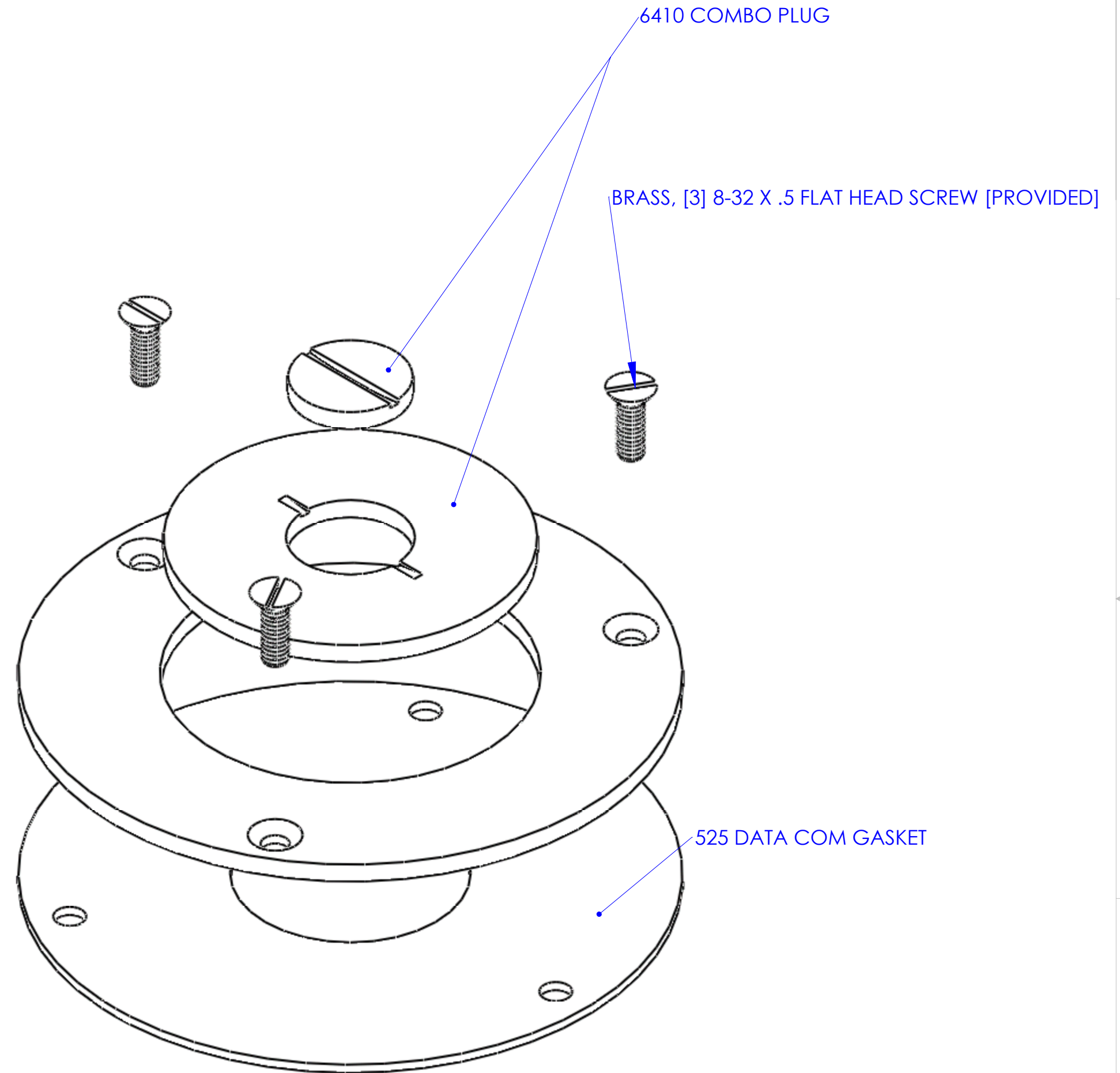
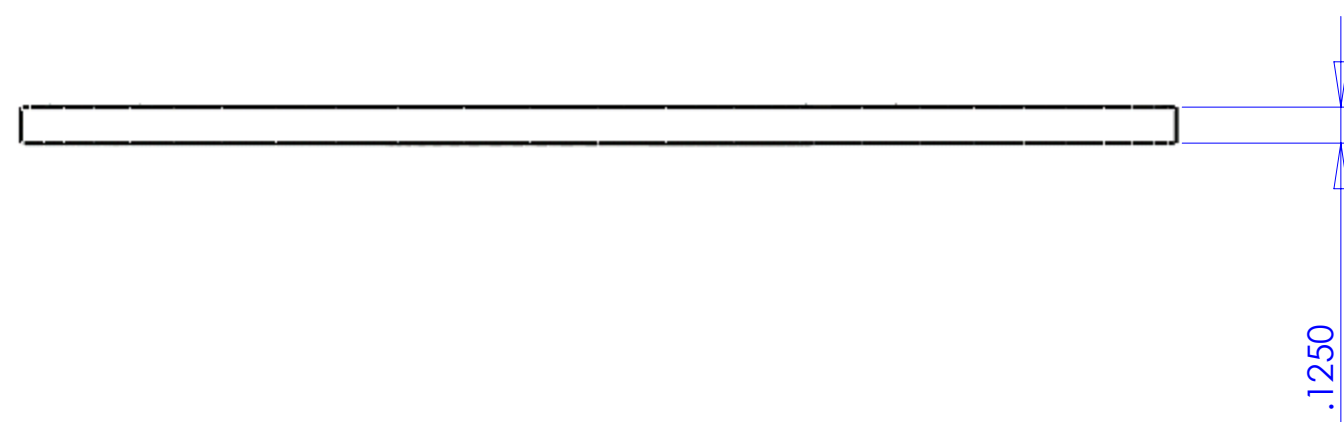
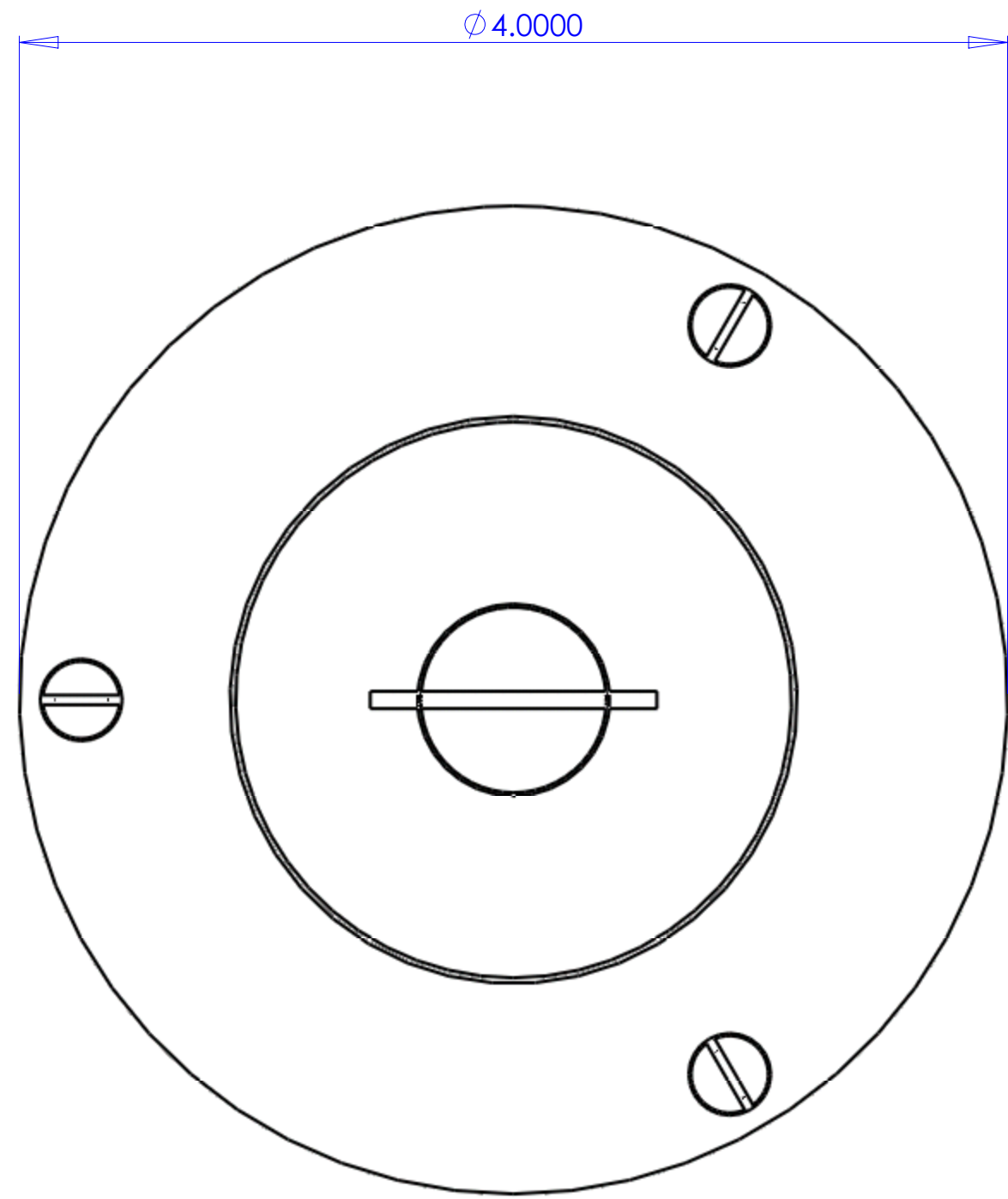
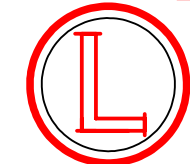


DESCRIPTION:
 BRASS, 4" COVER (1/8" THICK) WITH 2" - 1/2" COMBO PLUG
 FOR COM. / DATA





LEW ELECTRIC
FITTINGS COMPANY
 SERVING THE ELECTRICAL INDUSTRY SINCE 1901
 371 Randy Rd, Carol Stream IL 60188
 PHONE: 630-665-2075

UNLESS OTHERWISE SPECIFIED:	NAME	DATE	
DIMENSIONS ARE IN INCHES FRACTIONAL: ± ANGULAR: MACH ± BEND ± TWO PLACE DECIMAL ± THREE PLACE DECIMAL ±	DRAWN	P.J.G	9/25/2007
INTERPRET GEOMETRIC TOLERANCING PER: MATERIAL	COMMENTS:		
FINISH			
DO NOT SCALE DRAWING	TITLE:		524
	SIZE	DWG. NO.	REV
	C	100126	A
	WEIGHT:	SHEET 12 OF 13	