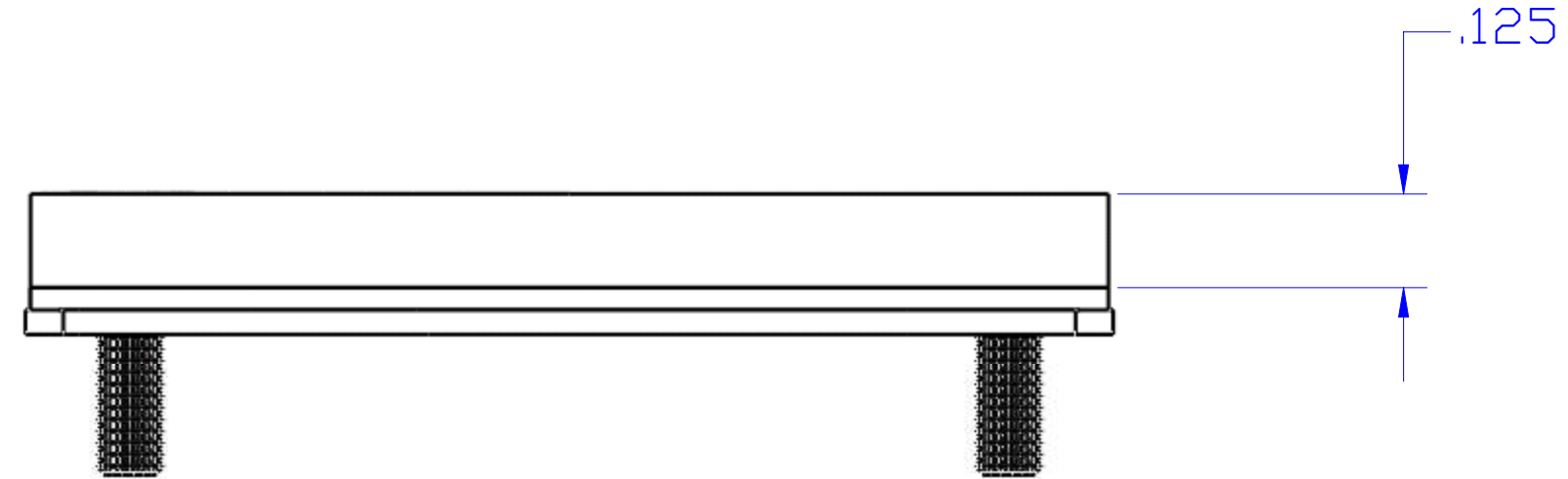


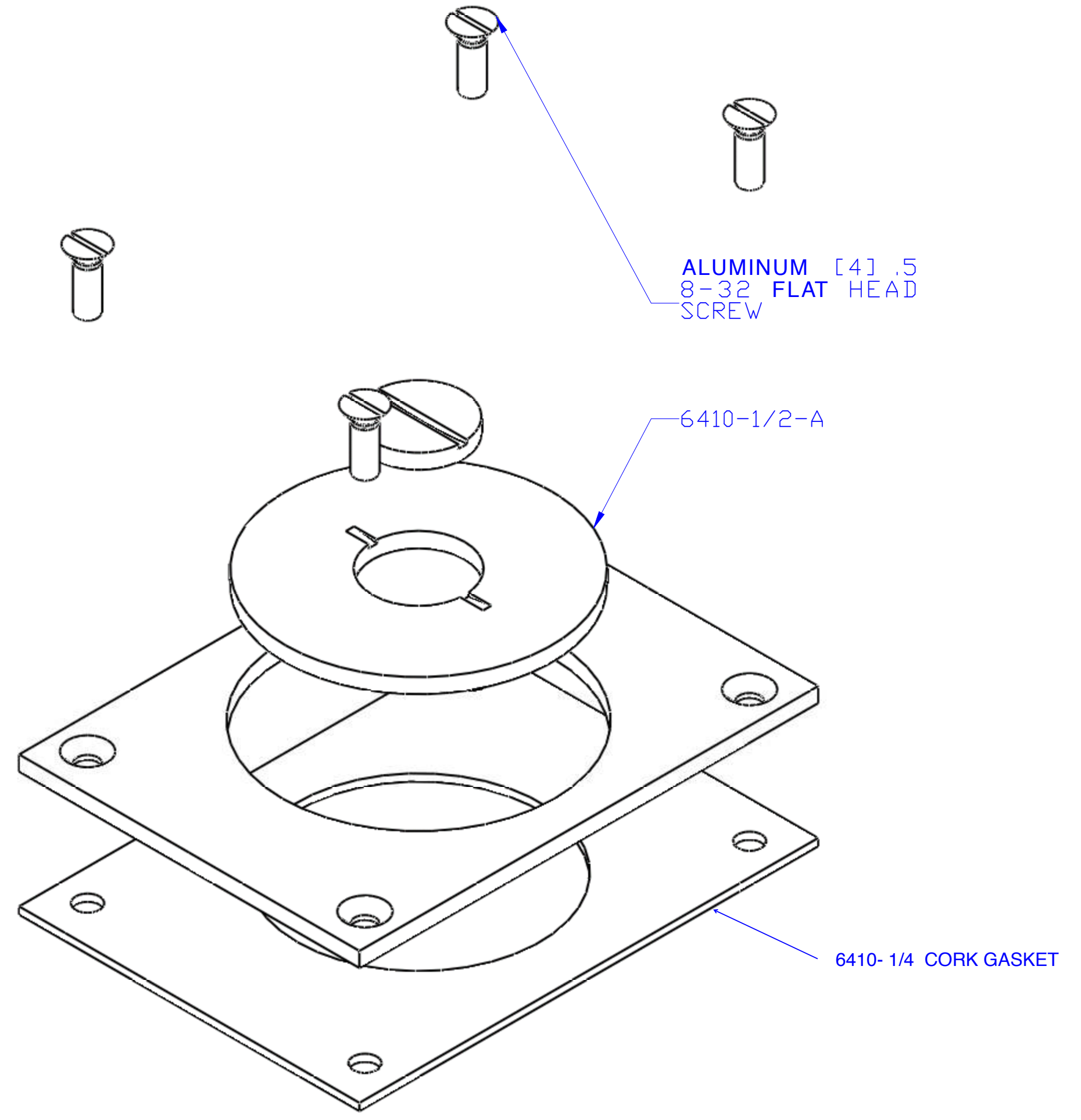
TOP VIEW



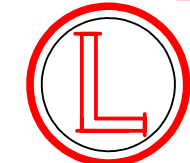
FRONT VIEW

DESCRIPTION:

ALUMINUM, 2 7/8" X 3 7/8" COVER  
(1/8" THICK) WITH 2" - 1/2" COMBO PLUG FOR  
COMM./DATA



EXPLODED



**LEW ELECTRIC  
FITTINGS COMPANY**  
SERVING THE ELECTRICAL INDUSTRY SINCE 1901  
371 Randy Road, Carol Stream, IL 60188  
PHONE: 630.665.2075

UNLESS OTHERWISE SPECIFIED:		NAME	DATE
DIMENSIONS ARE IN INCHES		DRAWN	PJG 11/7/2007
TOLERANCES:			
FRACTIONAL: ±			
ANGULAR: MACH ± BEND ±			
TWO PLACE DECIMAL ±			
THREE PLACE DECIMAL ±			
INTERPRET GEOMETRIC TOLERANCING PER:		COMMENTS:	
MATERIAL			
FINISH			
DO NOT SCALE DRAWING			

<b>TITLE:</b>	
<b>6304-S-A</b>	
SIZE	DWG. NO.
<b>C</b>	1001620
REV	
<b>A</b>	
WEIGHT:	SHEET 10 OF 10