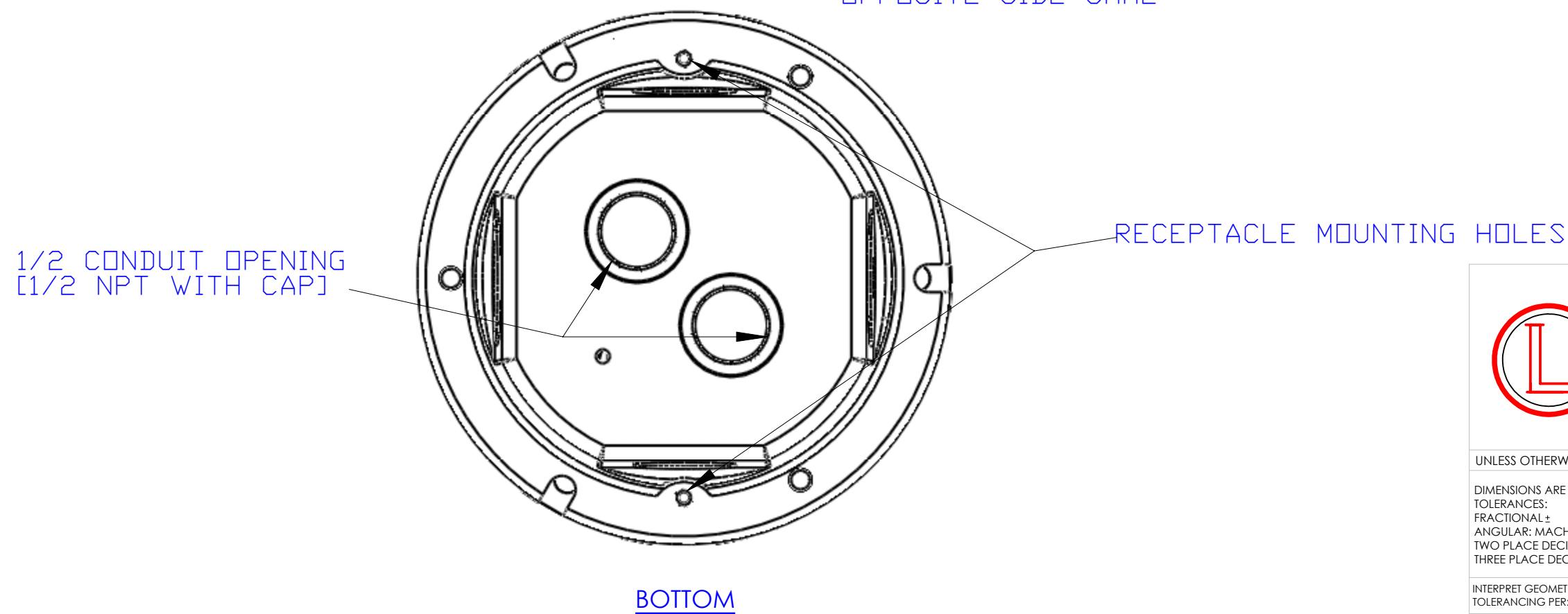
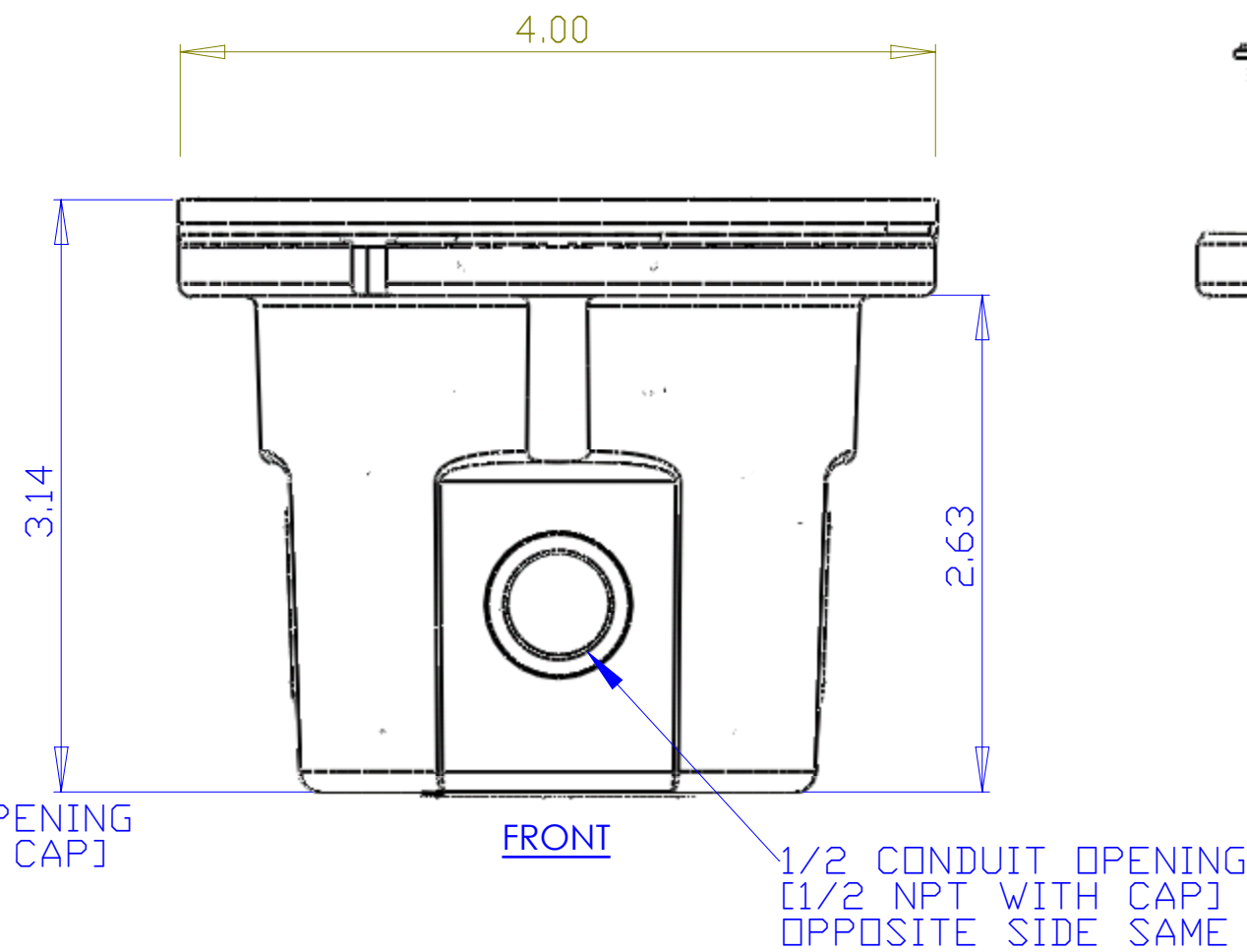
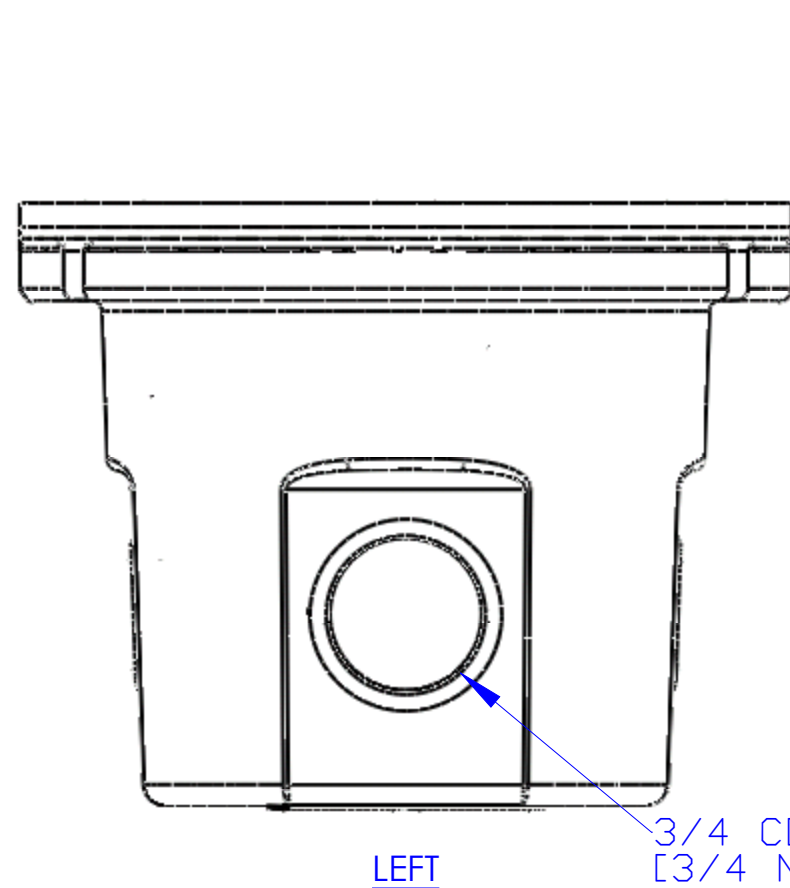
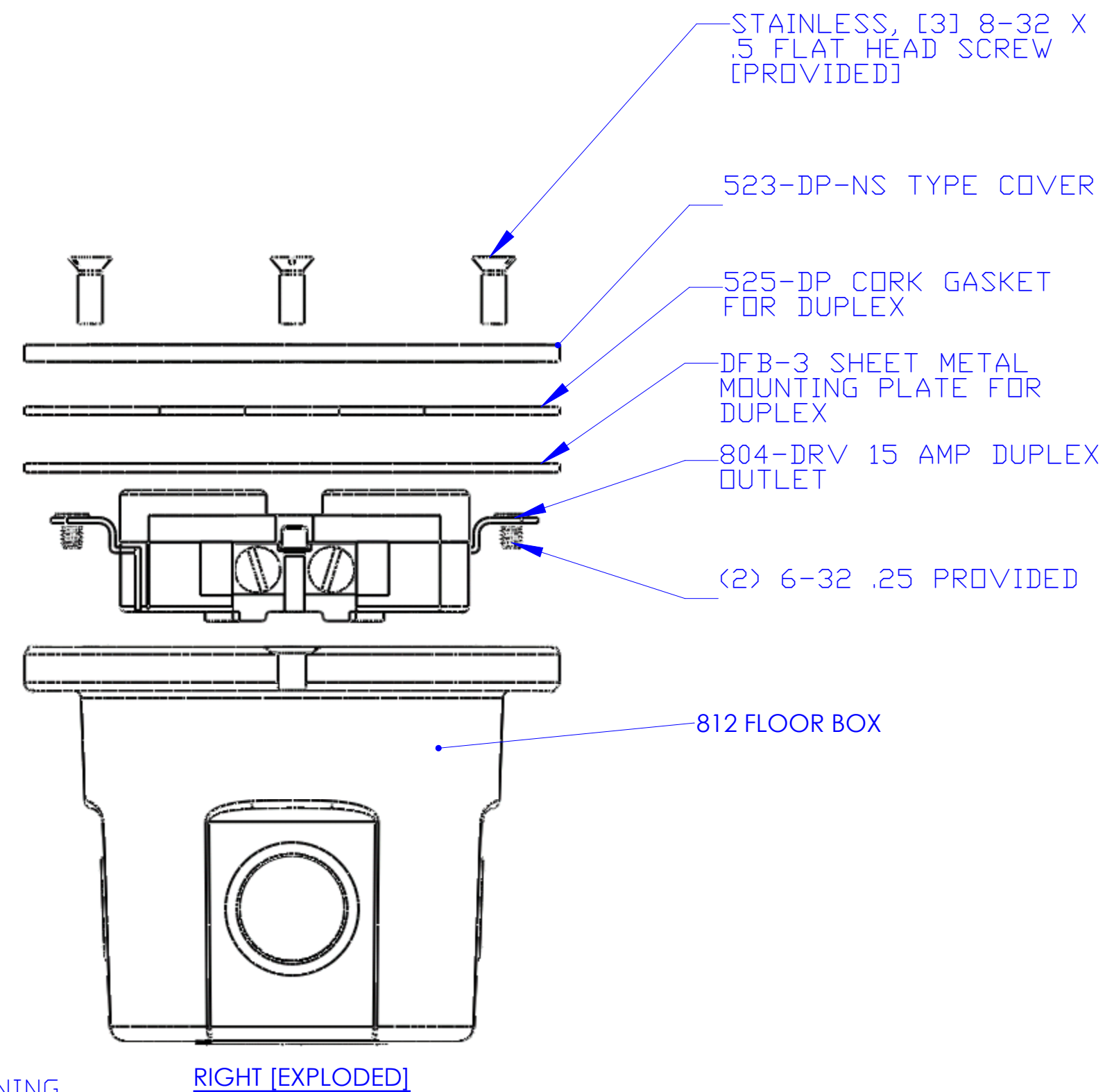
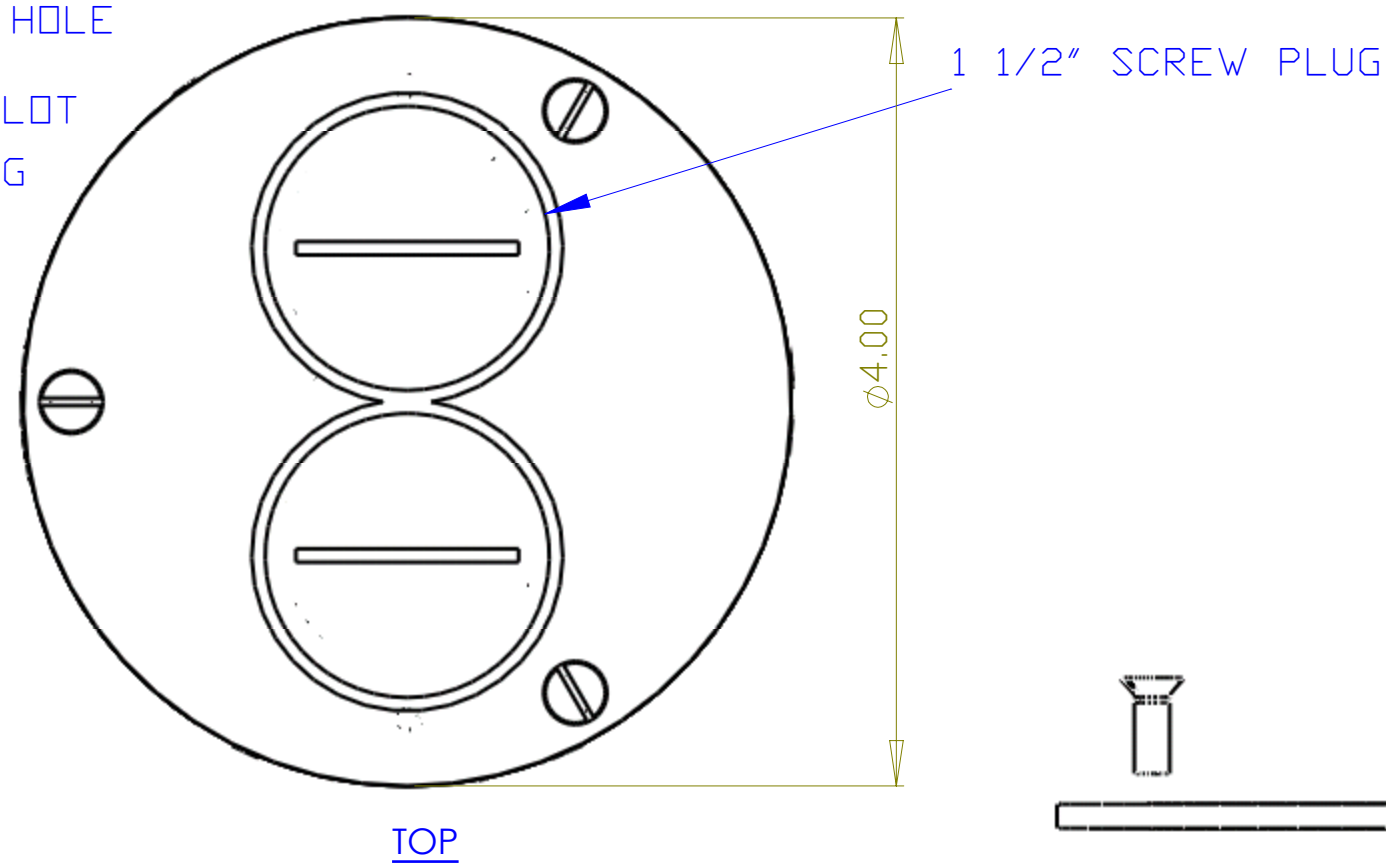
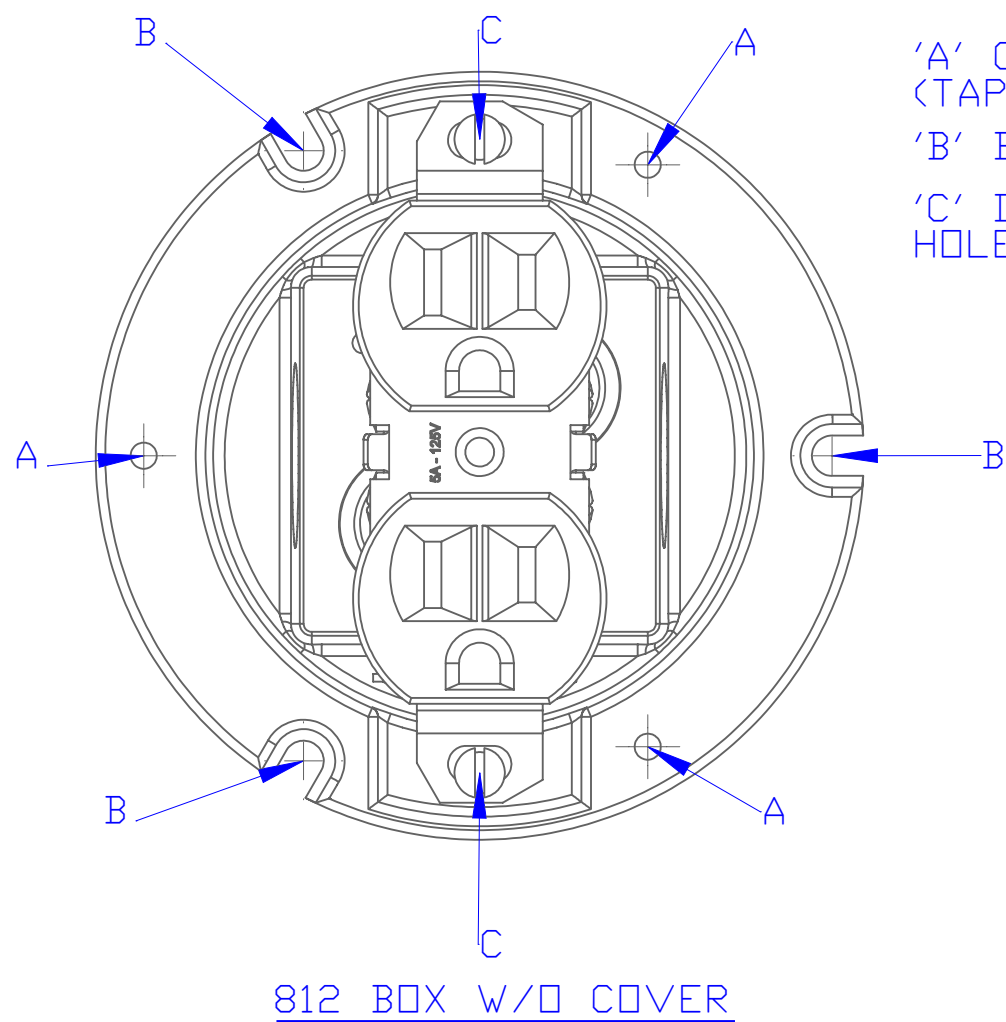


'A' COVERMOUNTING HOLE  
(TAPED 8/32)  
'B' BOX MOUNTING SLOT  
'C' DUPLEX MOUNTING  
HOLE (TAPED 6/32)

DESCRIPTION:  
CAST IRON FLOOR BOX FURNISHED WITH 523-  
DP-NS (NICKEL SILVER) COVER & 15 AMP  
RECEPTACLE



**LEW ELECTRIC**  
**FITTINGS COMPANY**  
SERVING THE ELECTRICAL INDUSTRY SINCE 1901  
1801 W. St. Charles Rd. Maywood, IL 60153  
PHONE: 708-345-2075

UNLESS OTHERWISE SPECIFIED:	NAME	DATE	TITLE: <b>812-DFB-NS</b>
DIMENSIONS ARE IN INCHES	DRAWN	9/10/2007	
TOLERANCES: FRACTIONAL: ± ANGULAR: MACH ± BEND ± TWO PLACE DECIMAL ± THREE PLACE DECIMAL ±	P.J.G.		SIZE DWG. NO. REV <b>C</b> 1001100 <b>A</b>
INTERPRET GEOMETRIC TOLERANCING PER:	COMMENTS:		
MATERIAL			WEIGHT:
FINISH			SHEET 6 OF 10
DO NOT SCALE DRAWING			