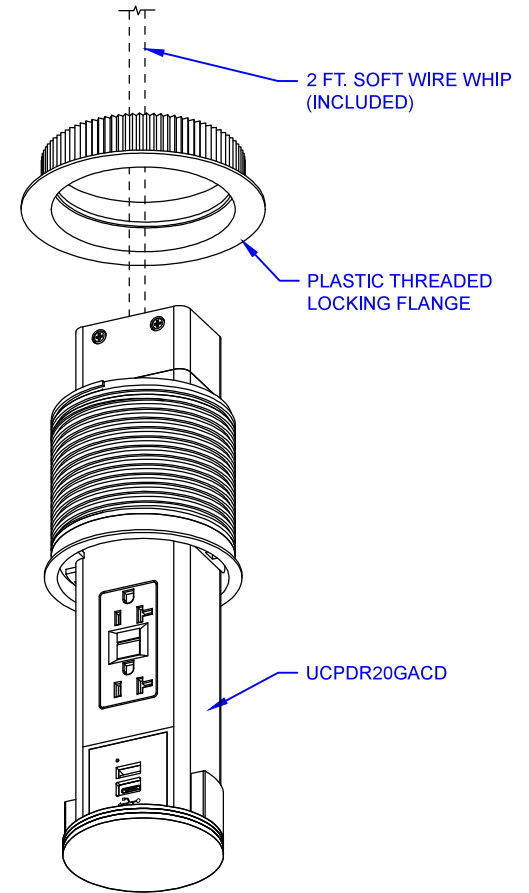


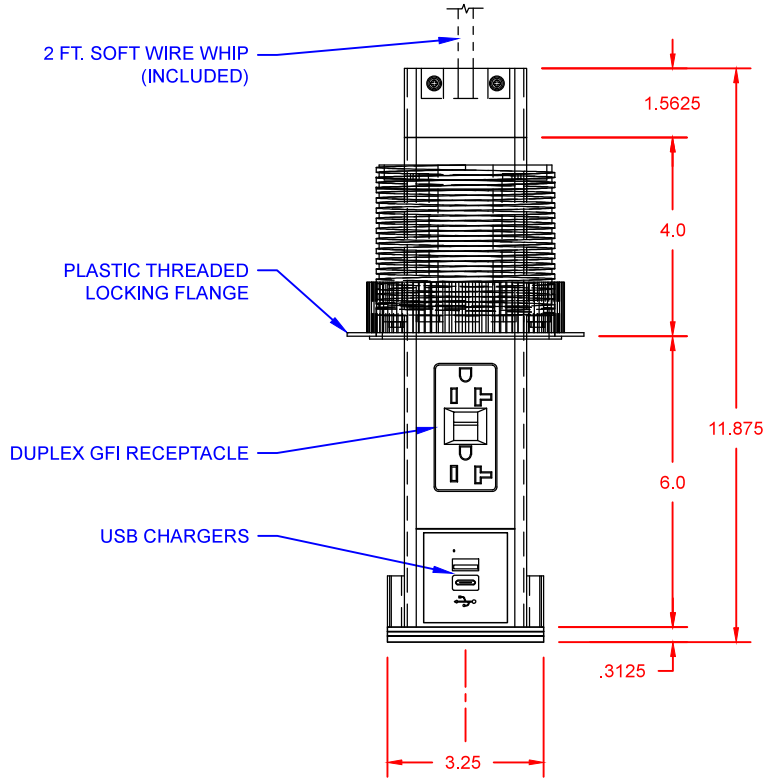
TOP VIEW



2 FT. SOFT WIRE WHIP (INCLUDED)

PLASTIC THREADED LOCKING FLANGE

UCPDR20GACD




2 FT. SOFT WIRE WHIP (INCLUDED)

PLASTIC THREADED LOCKING FLANGE

DUPLEX GFI RECEPTACLE

USB CHARGERS

FRONT VIEW



**LEW ELECTRIC
FITTINGS COMPANY**
SERVING THE ELECTRICAL INDUSTRY SINCE 1901
1626 Tobacco Road, Augusta, GA 30906
PHONE: 877.537.2019

UNLESS OTHERWISE SPECIFIED:		NAME	DATE	TITLE: UCPDR20GACD
DIMENSIONS ARE IN INCHES:		DRAWN	SMK	
FRACTIONAL ±				
TOLERANCES:				
ANGULAR: MACH ±				
BEND ±				
TWO PLACE DECIMAL ±				
THREE PLACE DECIMAL ±				
INTERPRET GEOMETRIC TOLERANCING PER:		COMMENTS:		
MATERIAL:				SIZE DWG. NO.
FINISH:				A 000001
DO NOT SCALE DRAWING				REV A
		WEIGHT:		SHEET 1 OF 1