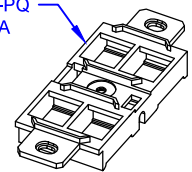


OPTIONAL RRP2-PQ
QUAD PORT DATA
DEVICE

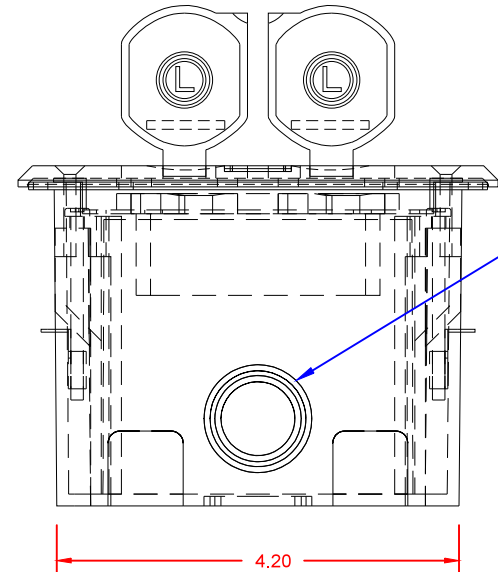
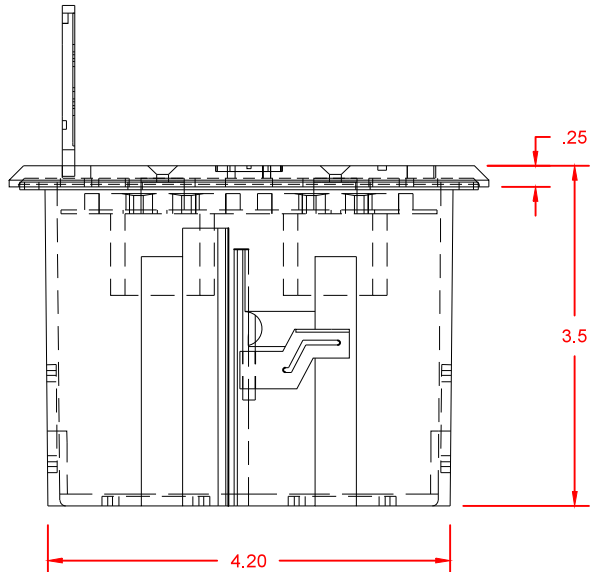
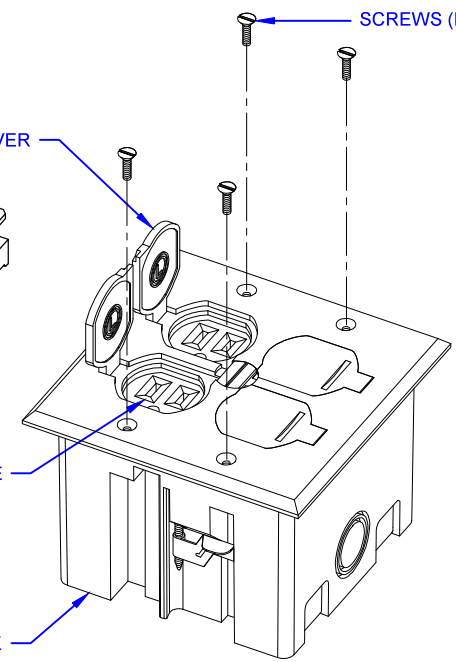


FLIP COVER


DUPLEX RECEPTACLE

FLOOR BOX

SCREWS (PROVIDED)



1-1/8" AND 7/8" KNOCKOUT TYP.
(OPPOSITE SIDE & 2 ON BOTTOM)



LEW ELECTRIC FITTINGS COMPANY

SERVING THE ELECTRICAL INDUSTRY SINCE 1901

371 Randy Rd, Carol Stream, IL 60188
PHONE: 630.665.2075

UNLESS OTHERWISE SPECIFIED:		NAME	DATE	TITLE: PB2-FP
DIMENSIONS ARE IN INCHES		DRAWN	SMK	
TOLERANCES:				
FRACTIONAL ±				
ANGULAR: MACH ±				
TWO PLACE DECIMAL ±				
THREE PLACE DECIMAL ±				
INTERPRET GEOMETRIC TOLERANCING PER:		COMMENTS:		
MATERIAL				
FINISH				
DO NOT SCALE DRAWING		SIZE A	DWG. NO. 000001	REV A
		WEIGHT:	SHEET 1 OF 1	