

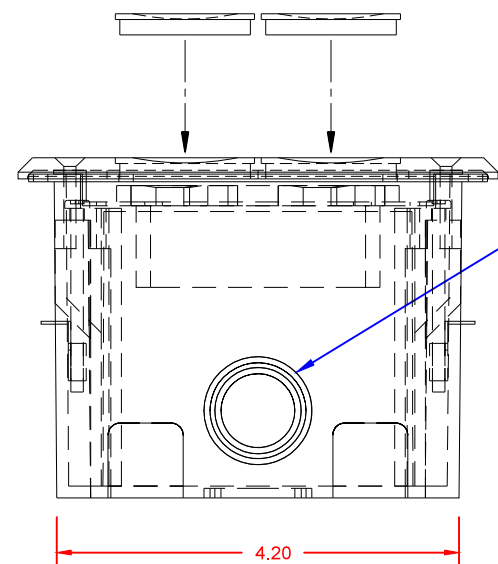
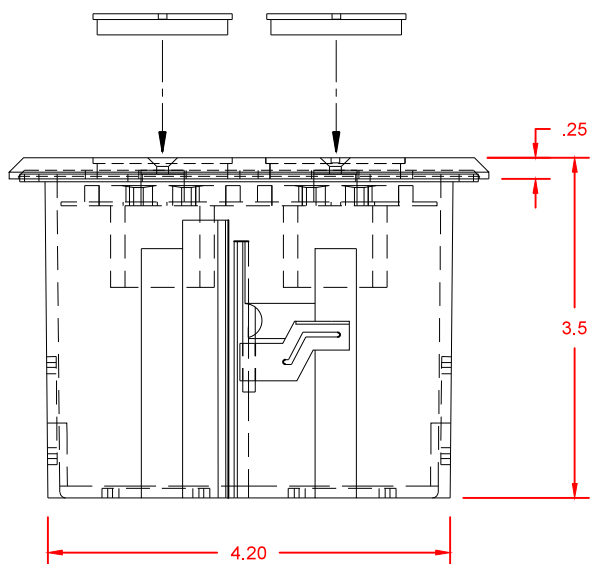
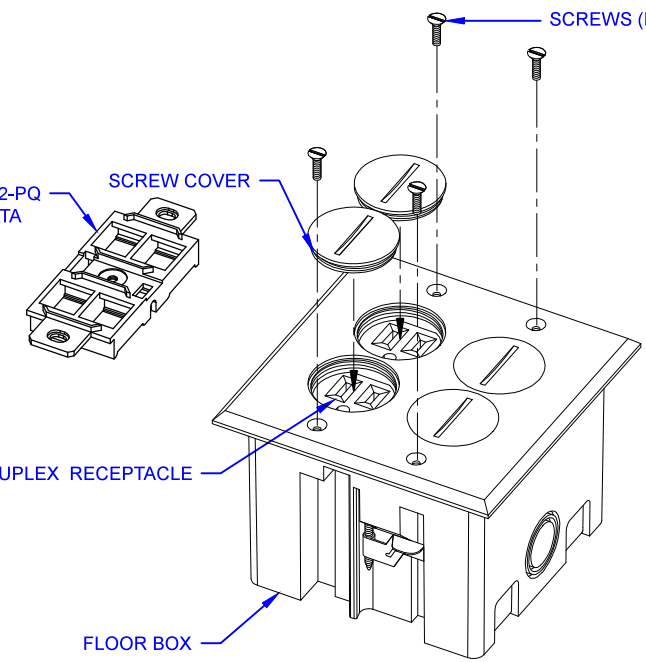
OPTIONAL RRP2-PQ  
QUAD PORT DATA  
DEVICE

SCREW COVER


SCREWS (PROVIDED)

DUPLEX RECEPTACLE

FLOOR BOX



1-1/8" AND 7/8" KNOCKOUT TYP.  
(OPPOSITE SIDE & 2 ON BOTTOM)



**LEW ELECTRIC  
FITTINGS COMPANY**  
SERVING THE ELECTRICAL INDUSTRY SINCE 1901

371 Randy Rd, Carol Stream, IL 60188  
PHONE: 630.665.2075

UNLESS OTHERWISE SPECIFIED:		NAME	DATE	TITLE: <b>PB2-SP</b>
DIMENSIONS ARE IN INCHES		DRAWN	SMK	
TOLERANCES:				
FRACTIONAL ±				
ANGULAR: MACH ±				
TWO PLACE DECIMAL ±				
THREE PLACE DECIMAL ±				
INTERPRET GEOMETRIC TOLERANCING PER:		COMMENTS:		
MATERIAL				
FINISH				
DO NOT SCALE DRAWING		SIZE <b>A</b>	DWG. NO. <b>000001</b>	REV <b>A</b>
		WEIGHT:	SHEET 1 OF 1	