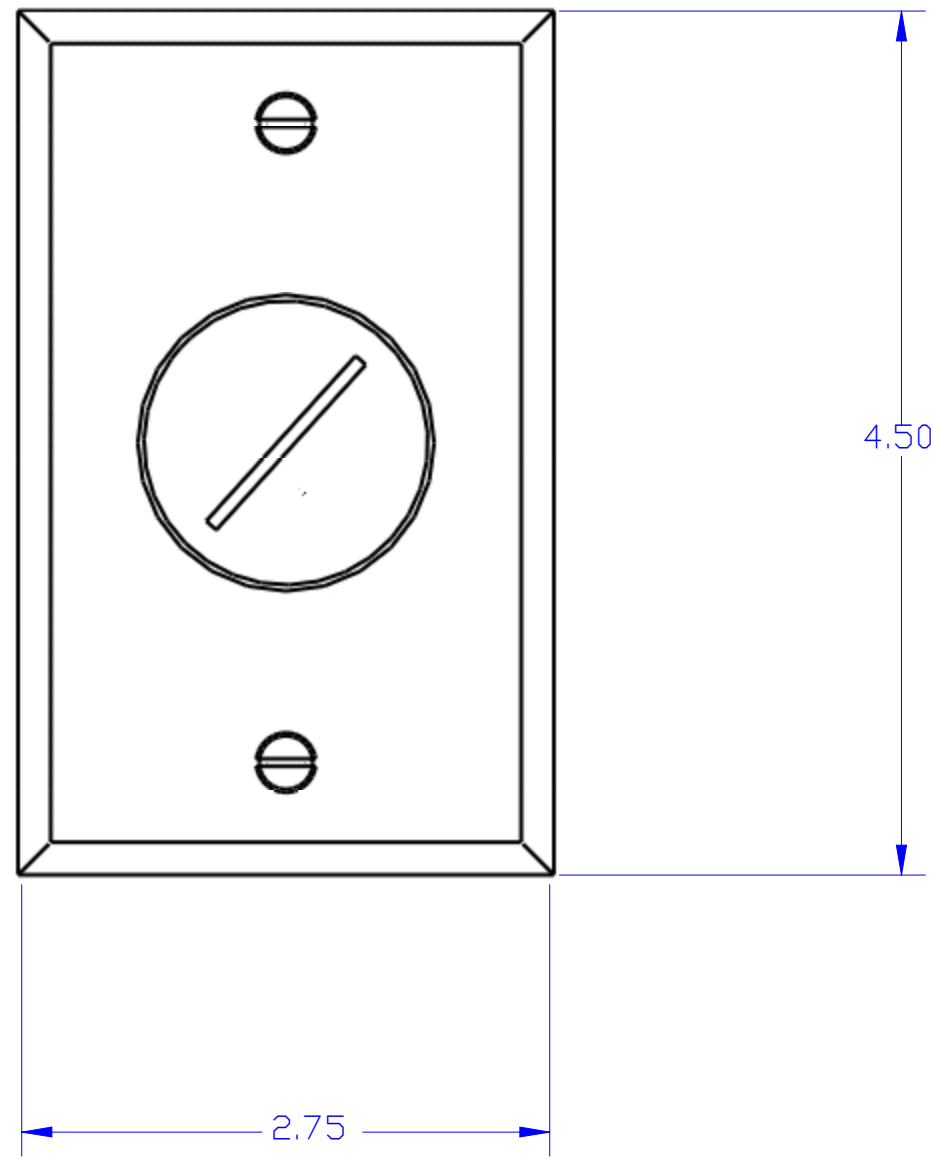


DESCRIPTION:
BRASS PLATED RECESSED FLOOR PLATE
ASSEMBLY (SINGLE RECEPTACLE)



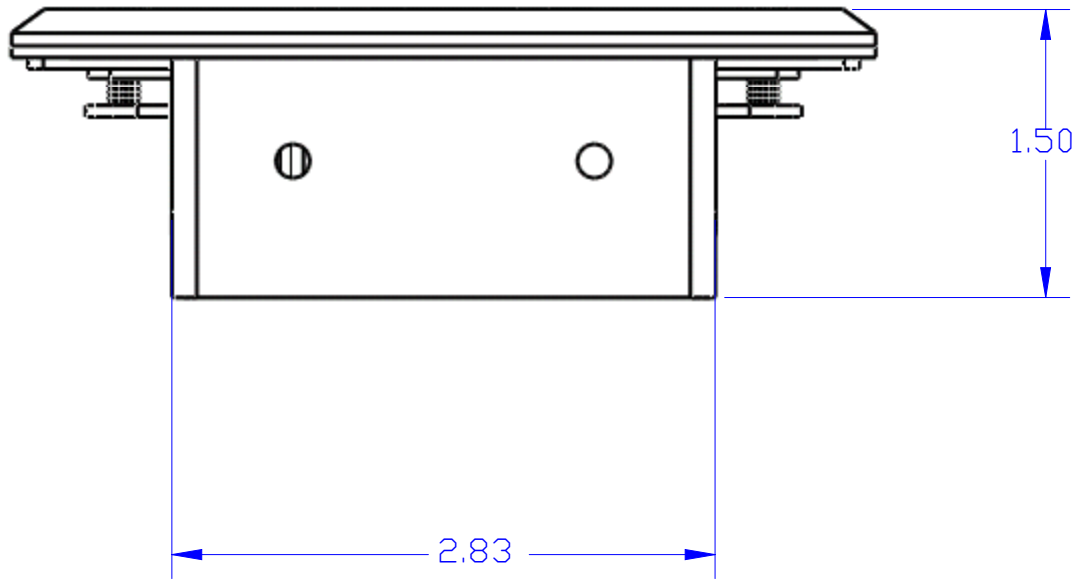
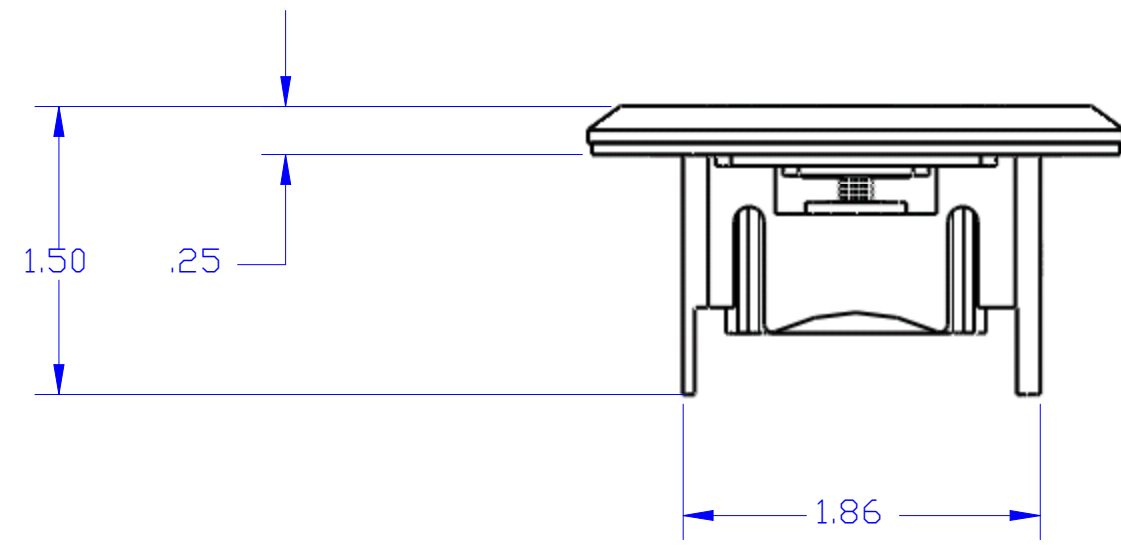
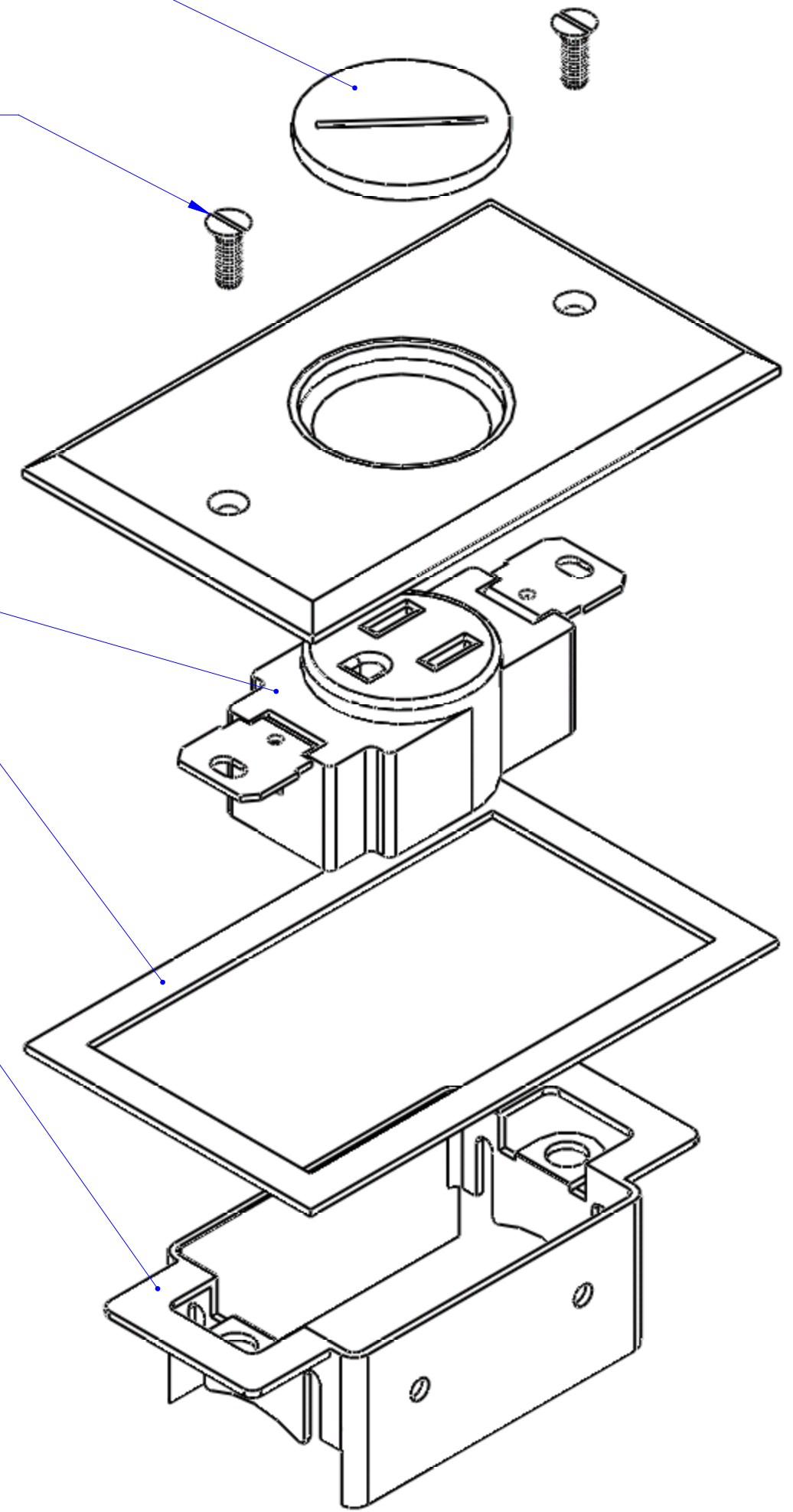
BRASS, [2] 6-32 X .75
FLAT HEAD SCREW [1.25
ALSO PROVIDED]

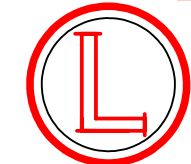
6207-BP PLUG

YA115R

NEOPRENE GASKET

RRP-2-R





**LEW ELECTRIC
FITTINGS COMPANY**
SERVING THE ELCTRICAL INDUSTRY SINCE 1901
1801 W. St. Charles Rd. Maywood, IL 60153
PHONE: 708-345-2075

UNLESS OTHERWISE SPECIFIED:		NAME	DATE
DIMENSIONS ARE IN INCHES		DRAWN	PJG 11/30/2007
TOLERANCES:			
FRACTIONAL ±			
ANGULAR: MATCH ± BEND ±			
TWO PLACE DECIMAL ±			
THREE PLACE DECIMAL ±			
INTERPRET GEOMETRIC TOLERANCING PER:		COMMENTS:	
MATERIAL			
FINISH			
DO NOT SCALE DRAWING			
TITLE:			
RRP-1-BP			
SIZE	DWG. NO.	REV	
C	1001110	A	
WEIGHT:		SHEET 1 OF 12	