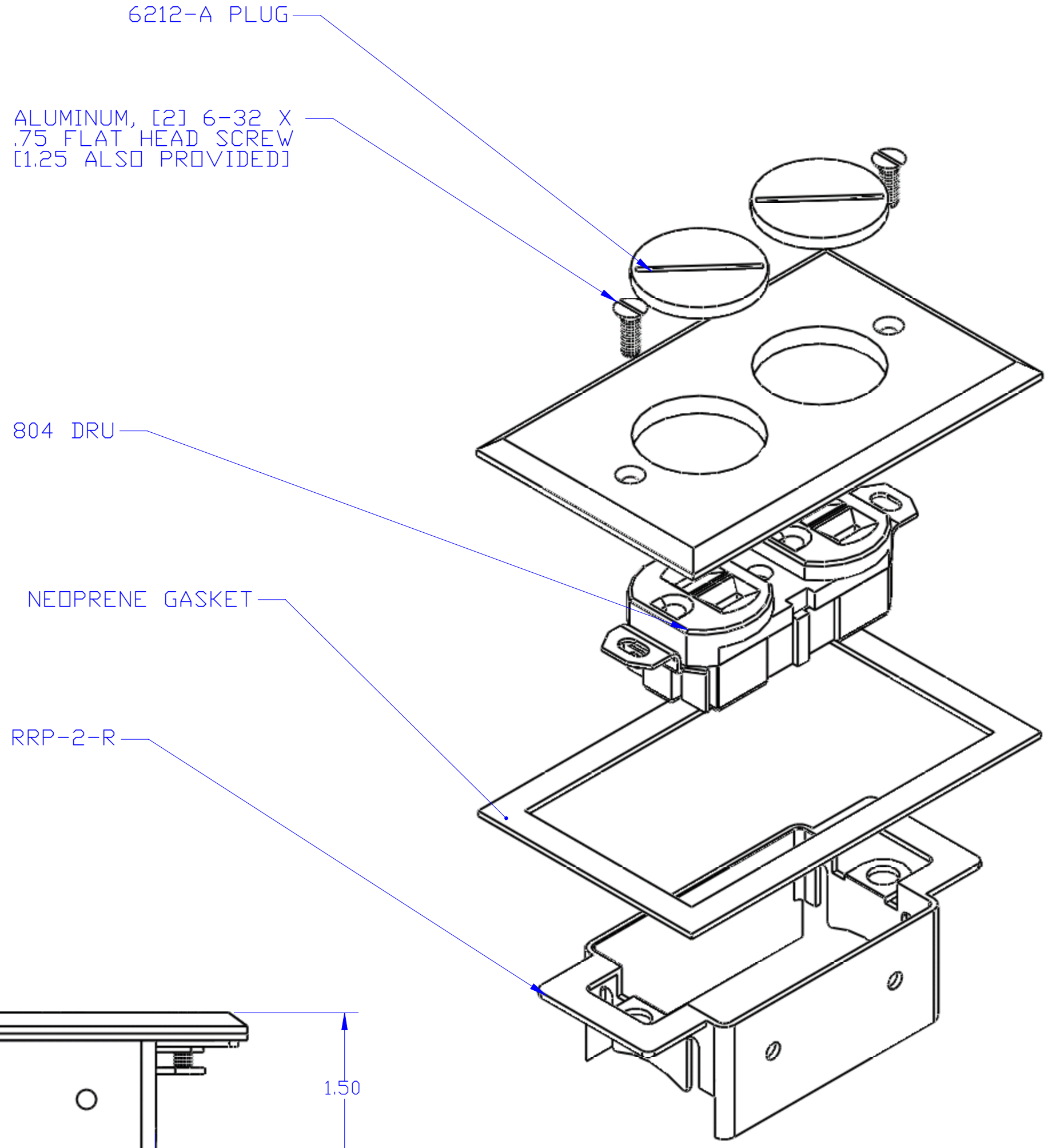
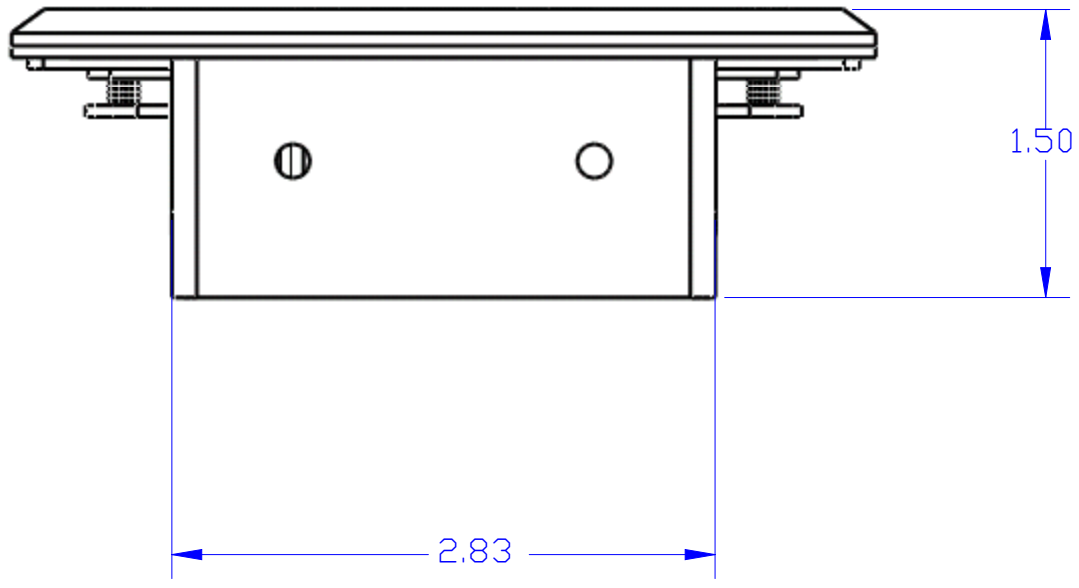
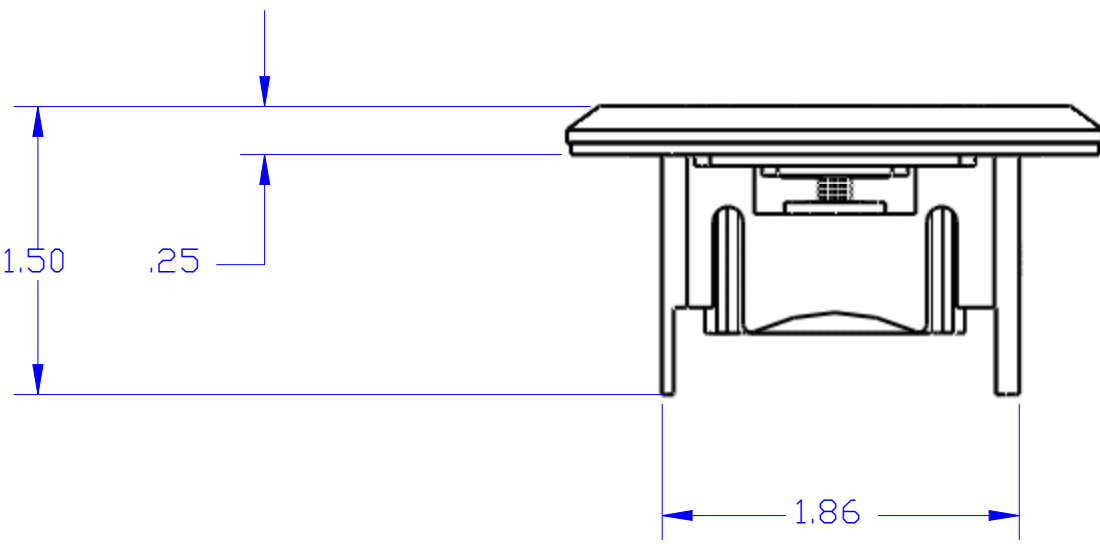
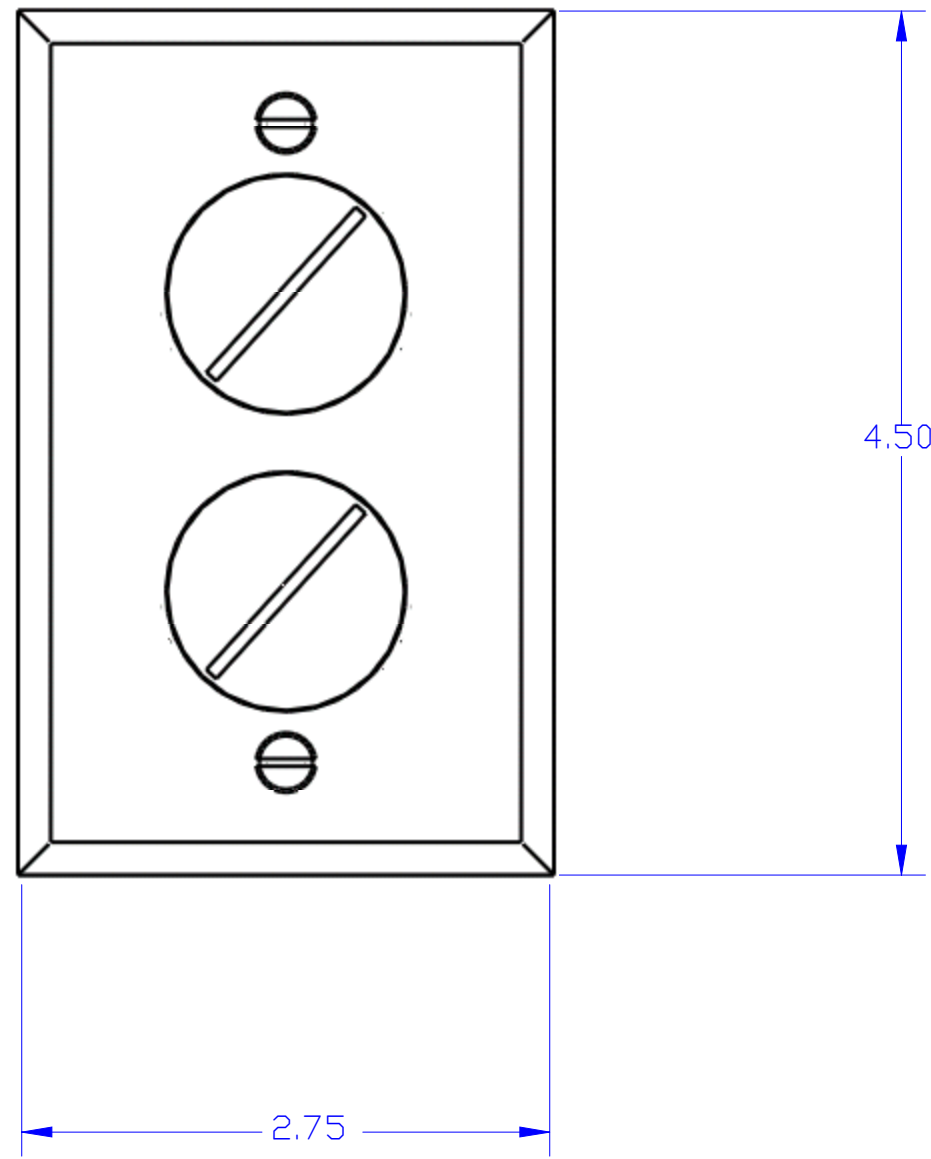


DESCRIPTION:
ALUMINUM, RECESSED FLOOR PLATE ASSEMBLY
(DUPLEX RECEPTACLE)



LEW ELECTRIC
FITTINGS COMPANY
SERVING THE ELCTRICAL INDUSTRY SINCE 1901
1801 W. St. Charles Rd. Maywood, IL 60153
PHONE: 708-345-2075

UNLESS OTHERWISE SPECIFIED:	NAME	DATE	TITLE: RRP-2-A
DIMENSIONS ARE IN INCHES	DRAWN	11/30/2007	
TOLERANCES:			SIZE DWG. NO. REV C 1001110 A
FRACTIONAL ±			
ANGULAR: MACH ± BEND ±			
TWO PLACE DECIMAL ±			
THREE PLACE DECIMAL ±			WEIGHT:
INTERPRET GEOMETRIC TOLERANCING PER:	COMMENTS:		SHEET 4 OF 12
MATERIAL			
FINISH			
DO NOT SCALE DRAWING			