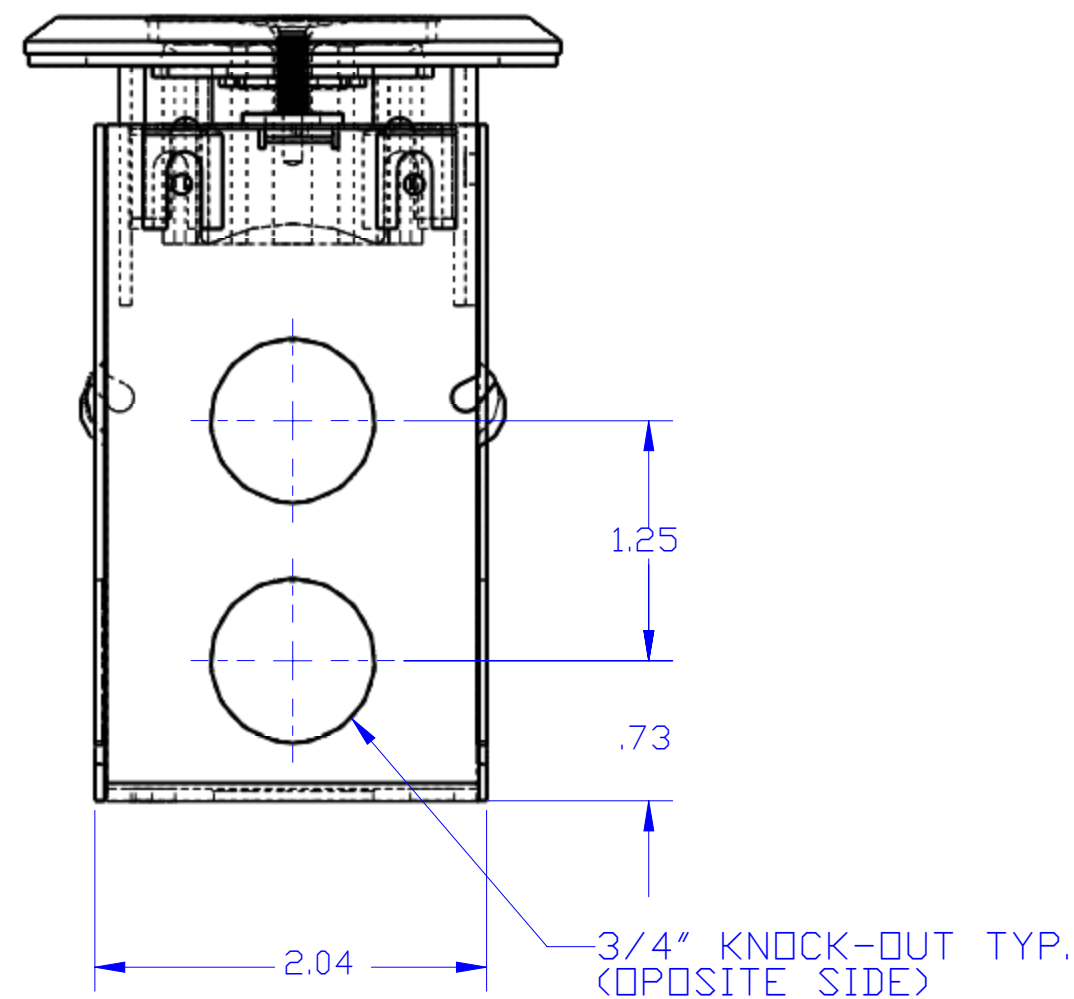
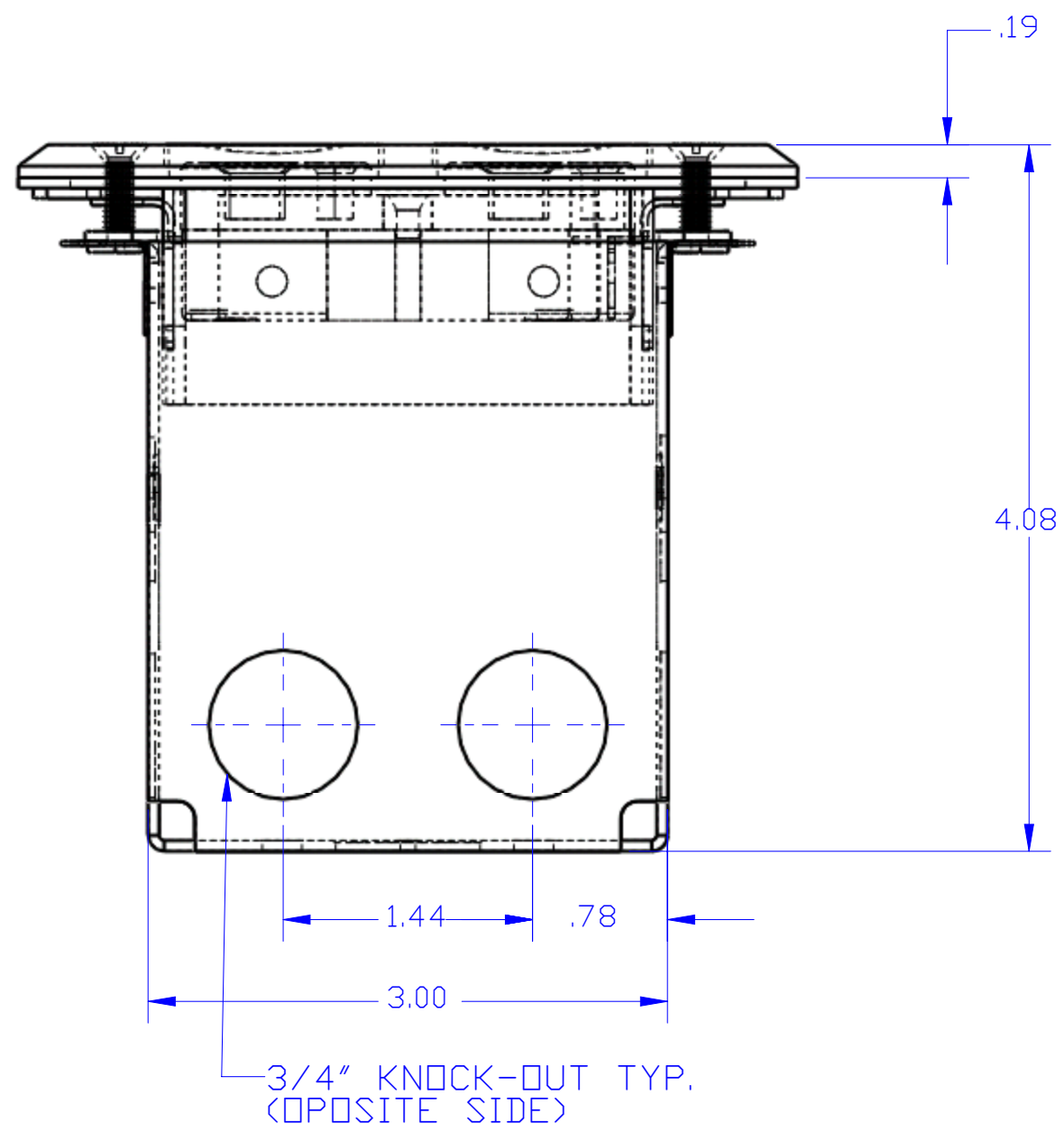
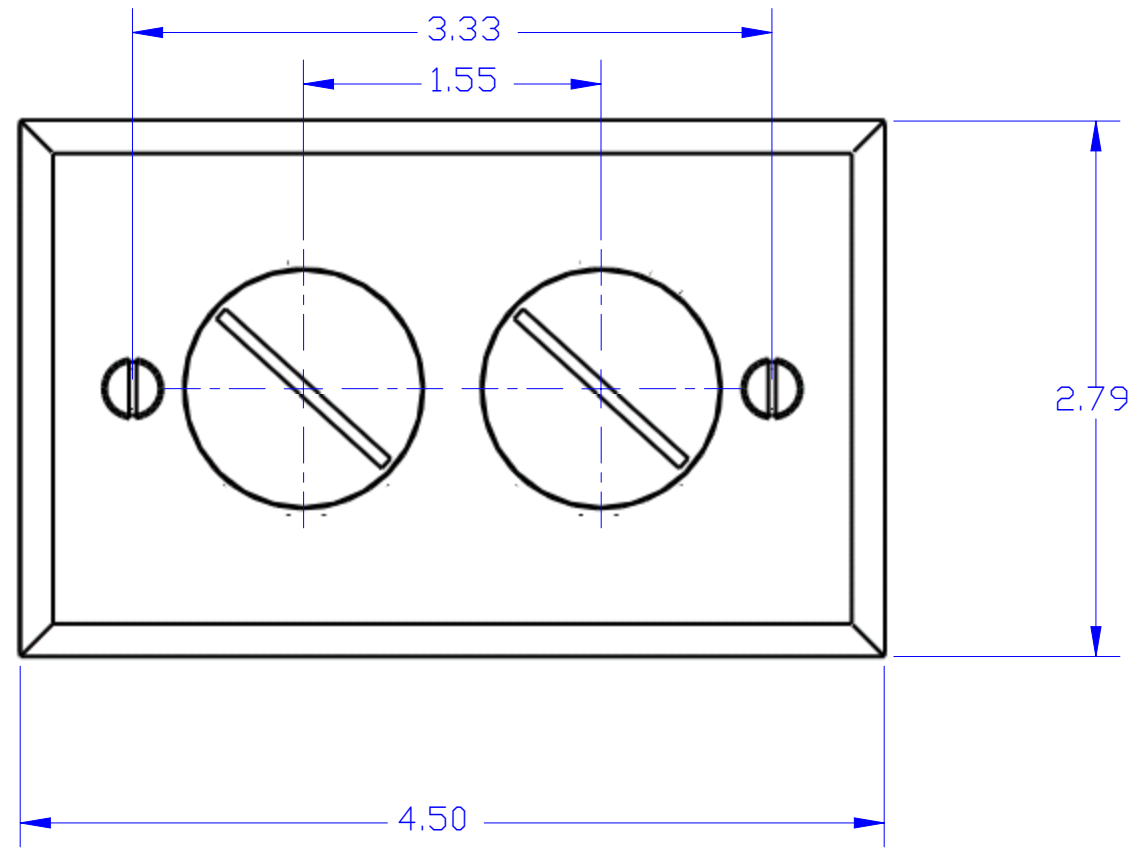


DESCRIPTION:  
BRASS, RECESSED FLOOR PLATE ASSEMBLY  
(DUPLEX RECEPTACLE WITH BOX)



BRASS, [2] 6-32 X .75 FLAT HEAD  
SCREW [1.25 ALSO PROVIDED]

6212 PLUG

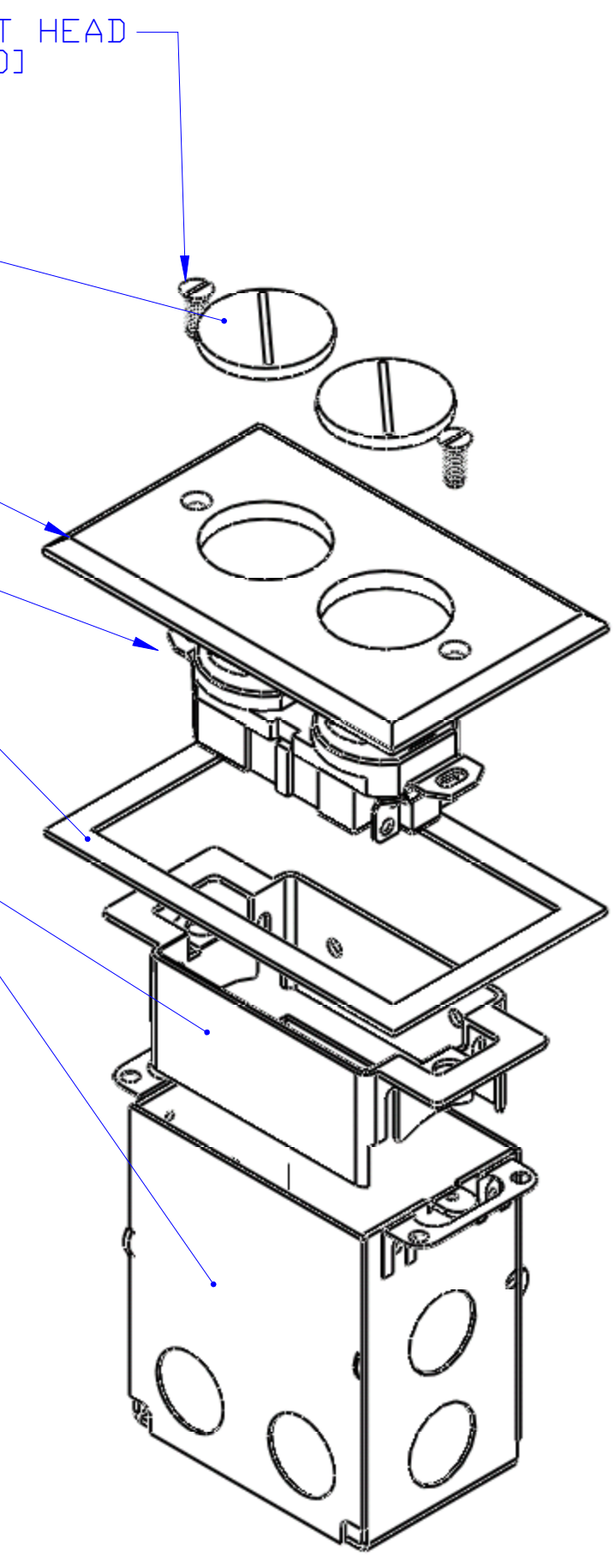
RRP-2

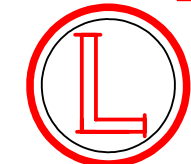
804 DRU

NEOPRENE GASKET

RRP-2-R

STAMPED STEEL BOX





**LEW ELECTRIC  
FITTINGS COMPANY**  
SERVING THE ELCTRICAL INDUSTRY SINCE 1901  
1801 W. St. Charles Rd. Maywood, IL 60153  
PHONE: 708-345-2075

UNLESS OTHERWISE SPECIFIED: DIMENSIONS ARE IN INCHES TOLERANCES: FRACTIONAL ± ANGULAR: MACH ± BEND ± TWO PLACE DECIMAL ± THREE PLACE DECIMAL ± INTERPRET GEOMETRIC TOLERANCING PER: MATERIAL FINISH DO NOT SCALE DRAWING	NAME DATE DRAWN P.J.G. 12/1/2007	TITLE: <b>SWB-2</b> SIZE DWG. NO. <b>C</b> REV <b>A</b>
COMMENTS:		WEIGHT: SHEET 3 OF 12