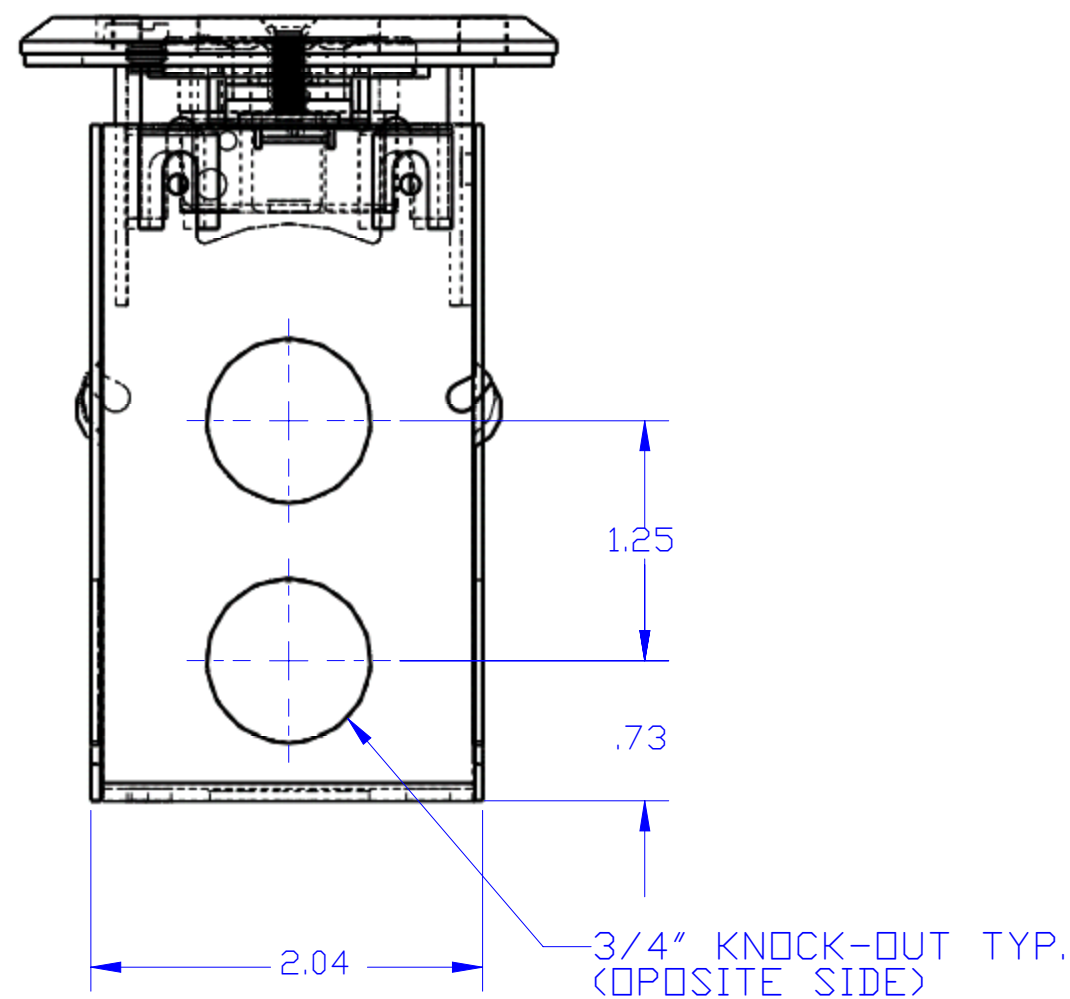
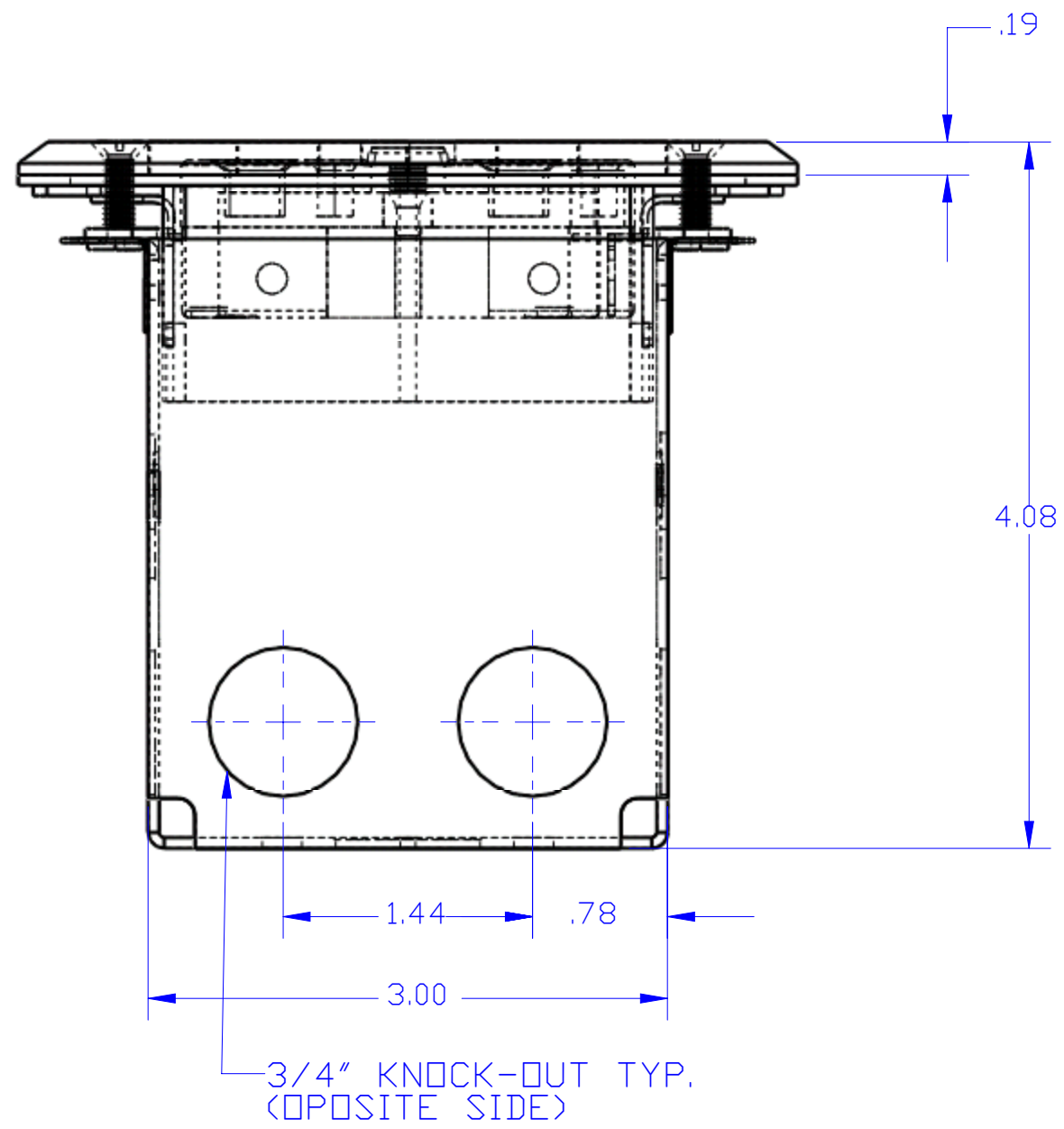
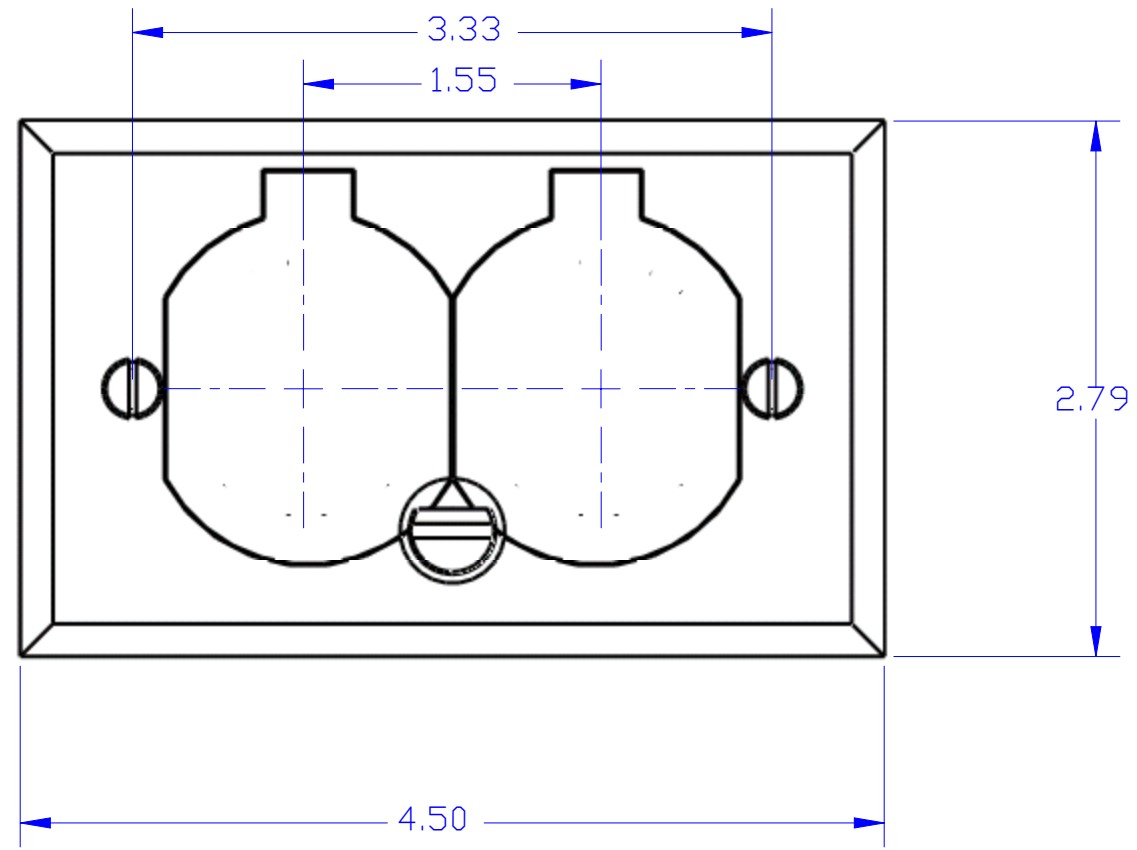


DESCRIPTION:
ALUMINUM, RECESSED FLOOR PLATE FLIP LID
ASSEMBLY (DUPLEX RECEPTACLE WITH BOX)



BRASS, [2] 6-32 X .75 FLAT HEAD
SCREW [1.25 ALSO PROVIDED]

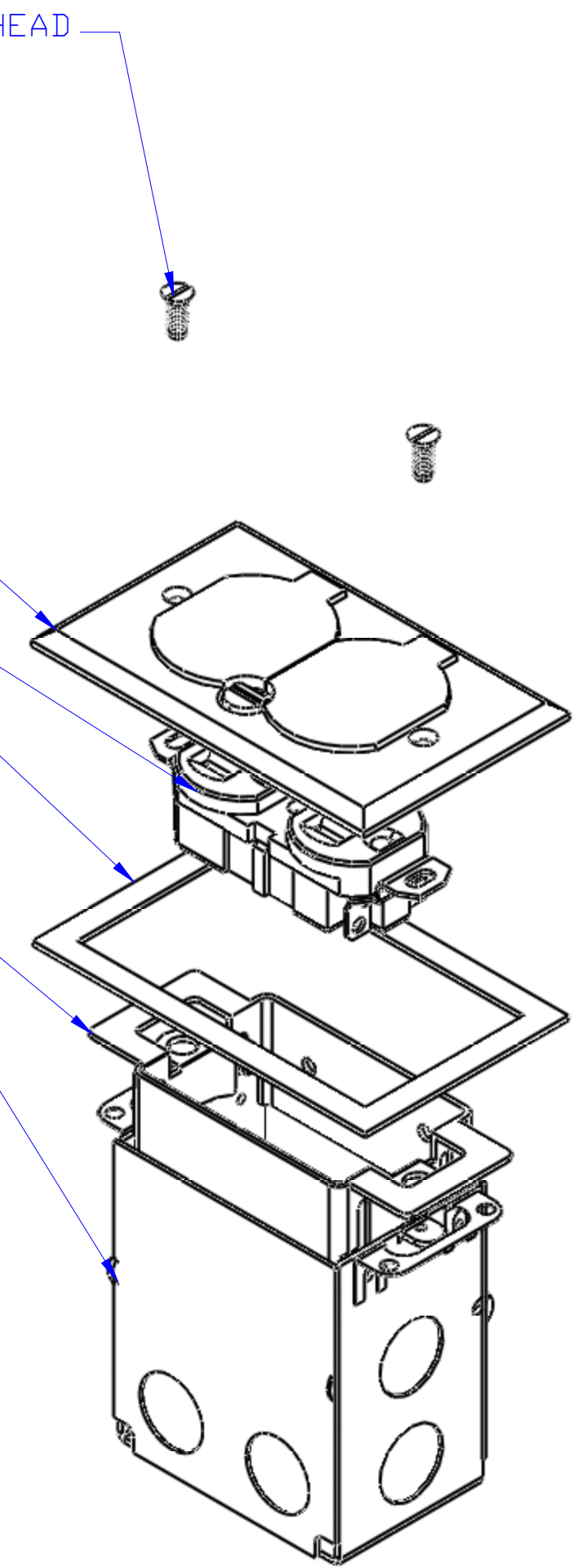
RRP-2-LR-A

804 DRU

NEOPRENE GASKET

RRP-2-R

STAMPED STEEL BOX



LEW ELECTRIC
FITTINGS COMPANY
SERVING THE ELECTRICAL INDUSTRY SINCE 1901
1801 W. St. Charles Rd. Maywood, IL 60153
PHONE: 708-345-2075

UNLESS OTHERWISE SPECIFIED:	NAME	DATE	TITLE: SWB-2-LR-A
DIMENSIONS ARE IN INCHES	DRAWN	12/1/2007	
TOLERANCES:			SIZE DWG. NO. REV C
FRACTIONAL ±			
ANGULAR: MACH ± BEND ±			
TWO PLACE DECIMAL ±			WEIGHT: SHEET 10 OF 12
THREE PLACE DECIMAL ±			
INTERPRET GEOMETRIC TOLERANCING PER:	COMMENTS:		
MATERIAL			
FINISH			
DO NOT SCALE DRAWING			