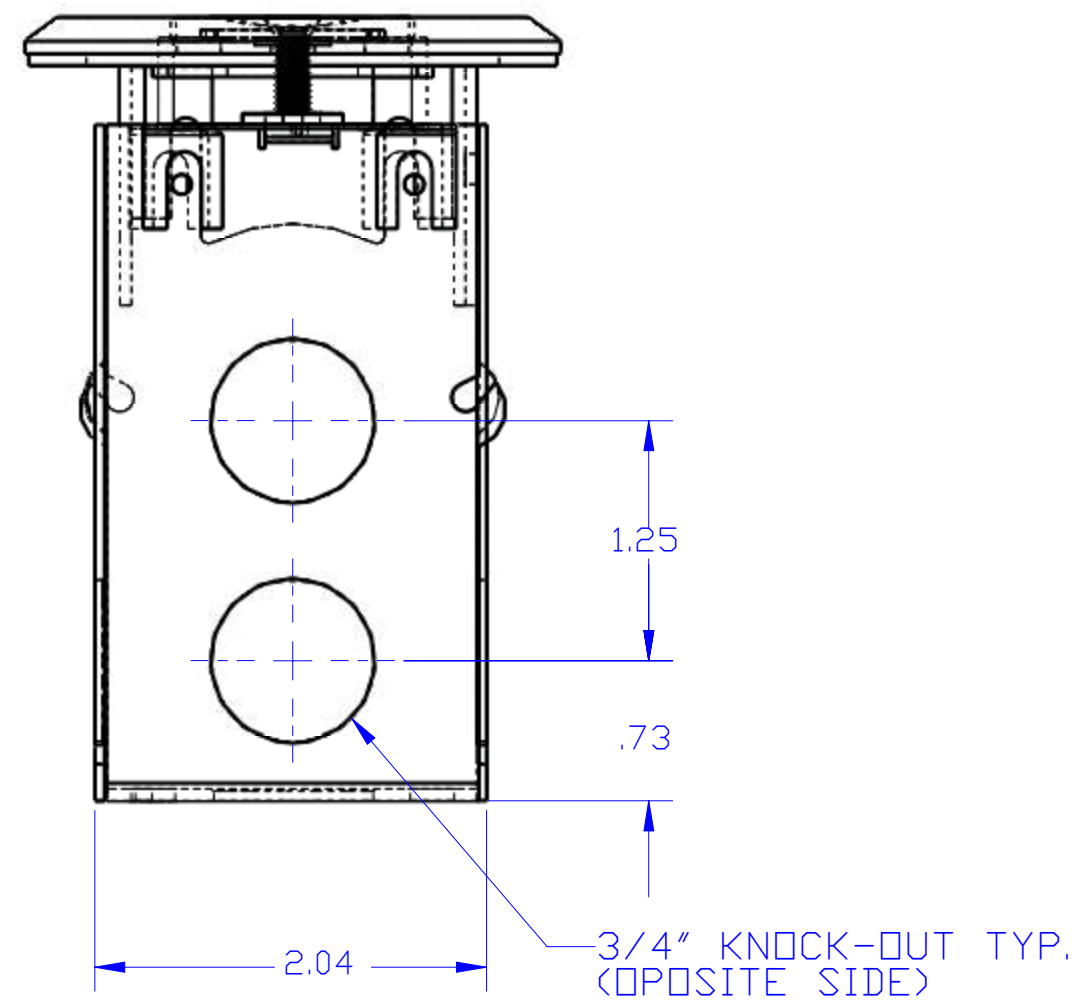
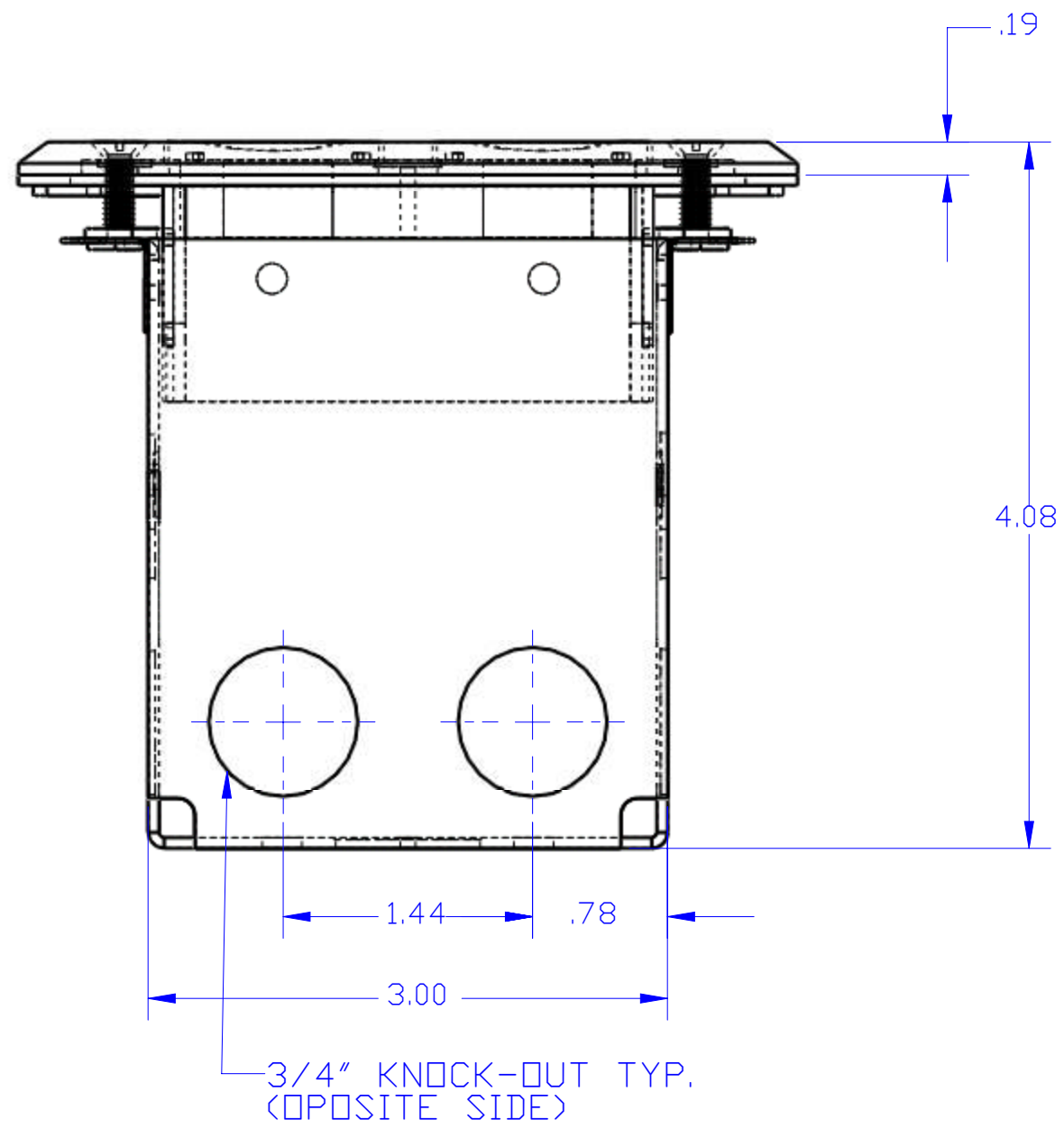
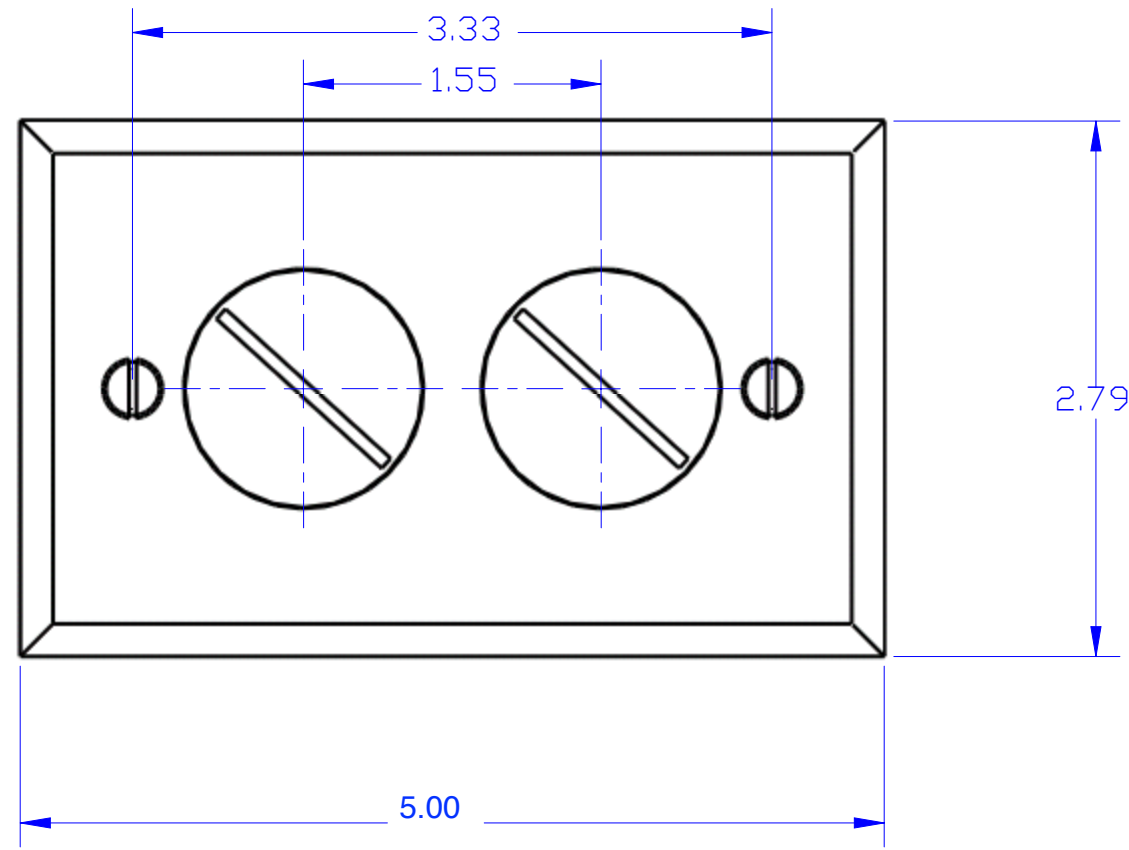


DESCRIPTION:
 BRASS, RECESSED FLOOR PLATE ASSEMBLY
 (COMM./DATA WITH BOX); RRP-2-PQ INCLUDED



BRASS, [2] 6-32 X .75 FLAT HEAD SCREW
 [1.25 ALSO PROVIDED]

6212 PLUG

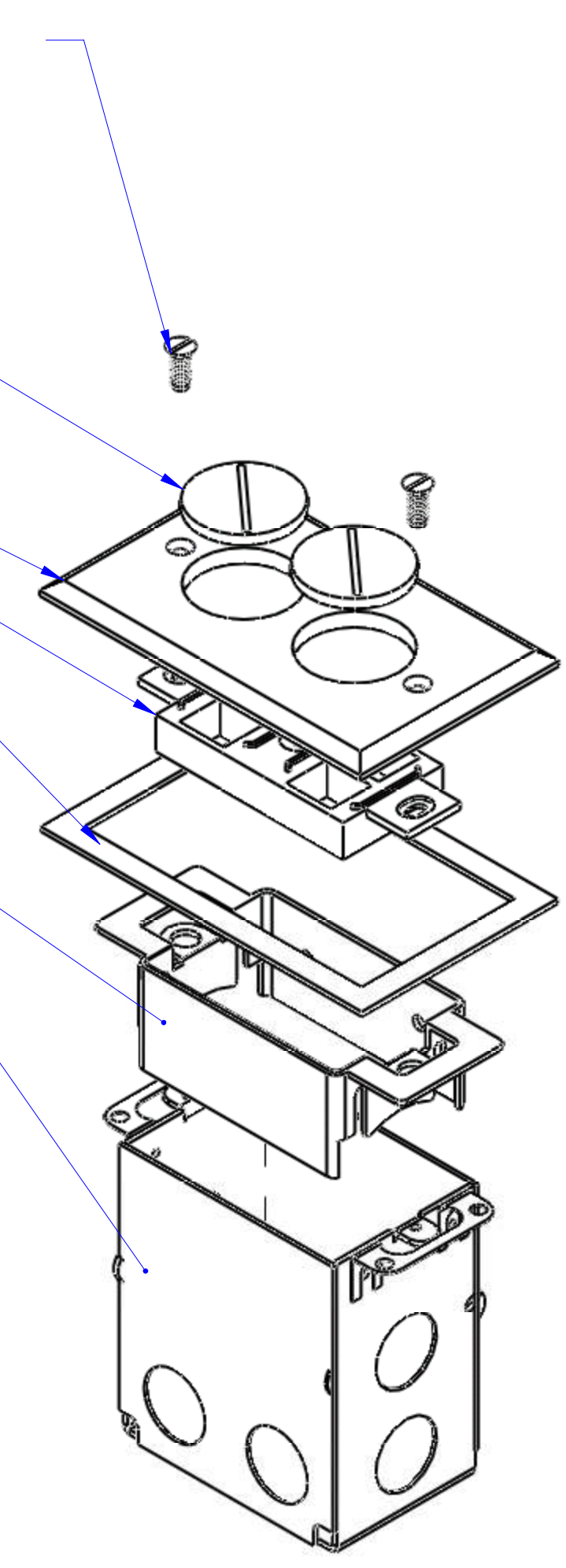
RRP-2BR

RRP-2-PQ

NEOPRENE GASKET

RRP-2-R

STAMPED STEEL BOX



LEW ELECTRIC
FITTINGS COMPANY
 SERVING THE ELECTRICAL INDUSTRY SINCE 1901
 371 Randy Rd, Carol Stream IL 60188
 PHONE: 630-665-2075

UNLESS OTHERWISE SPECIFIED:	NAME	DATE	TITLE: SWB-2-T
DIMENSIONS ARE IN INCHES	DRAWN	12/1/2007	
TOLERANCES:			SIZE DWG. NO. REV C
FRACTIONAL: ±			
ANGULAR: MATCH ± BEND ±			
TWO PLACE DECIMAL ±			
INTERPRET GEOMETRIC TOLERANCING PER:	COMMENTS:		WEIGHT: SHEET 6 OF 12
MATERIAL			
FINISH			
DO NOT SCALE DRAWING			