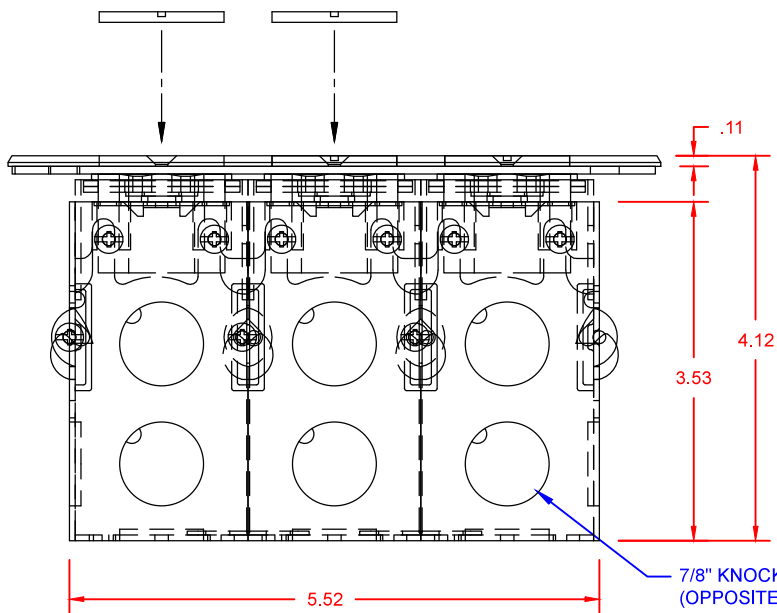
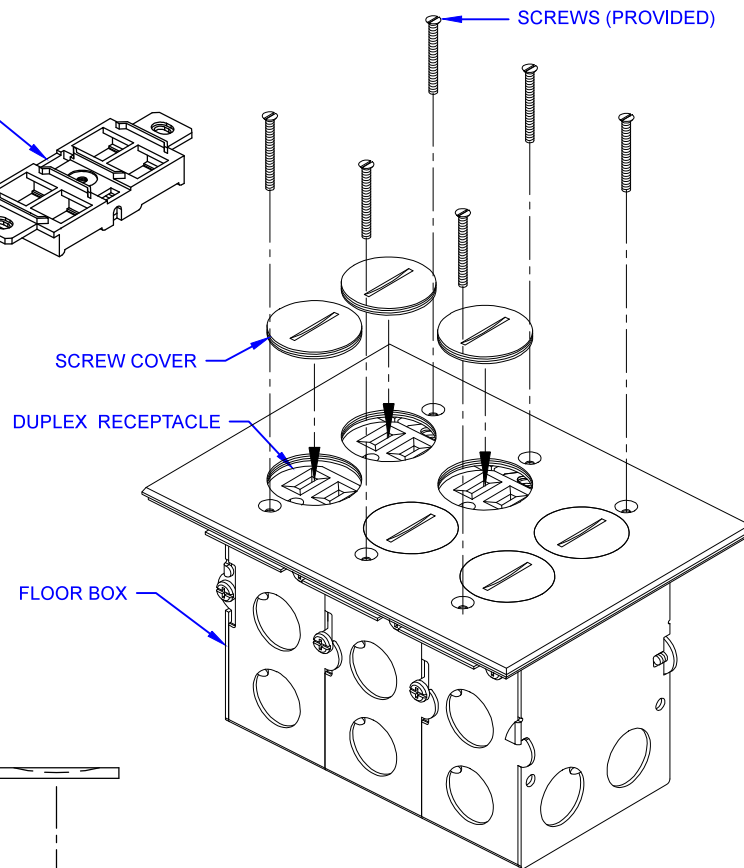
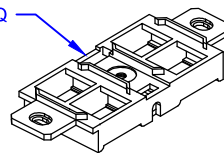
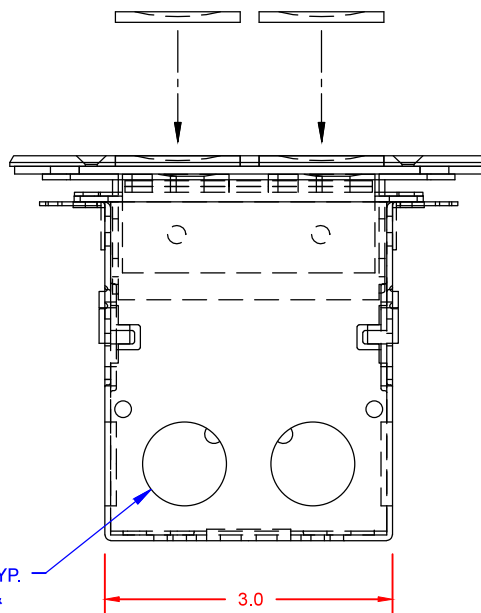



OPTIONAL RRP2-PQ
QUAD PORT DATA
DEVICE



7/8" KNOCKOUT TYP.
(OPPOSITE SIDE &
3 ON BOTTOM)





LEW ELECTRIC FITTINGS COMPANY

SERVING THE ELECTRICAL INDUSTRY SINCE 1901

371 Randy Rd, Carol Stream, IL 60188
PHONE: 630.665.2075

UNLESS OTHERWISE SPECIFIED:	NAME	DATE		
DIMENSIONS ARE IN INCHES:	DRAWN	SMK		
FRACTIONAL ±				
TOLERANCES:				
ANGULAR: MACH ±				
TWO PLACE DECIMAL ±				
THREE PLACE DECIMAL ±				
INTERPRET GEOMETRIC TOLERANCING PER:	COMMENTS:		TITLE: SWB-6	
MATERIAL				
FINISH			SIZE	DWG. NO.
DO NOT SCALE DRAWING			A	000001
			REVISION	WEIGHT:
			A	SHEET 1 OF 1