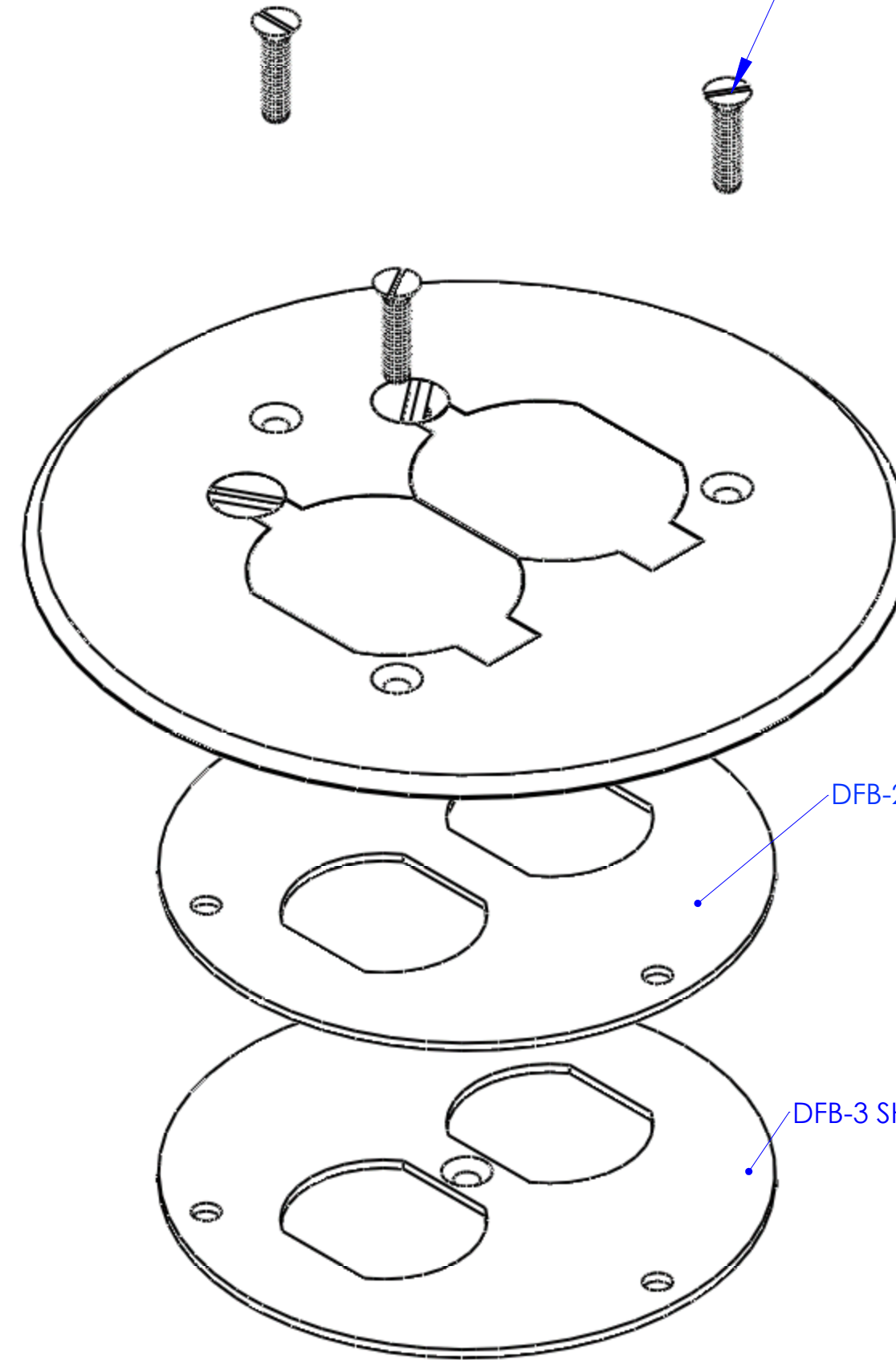
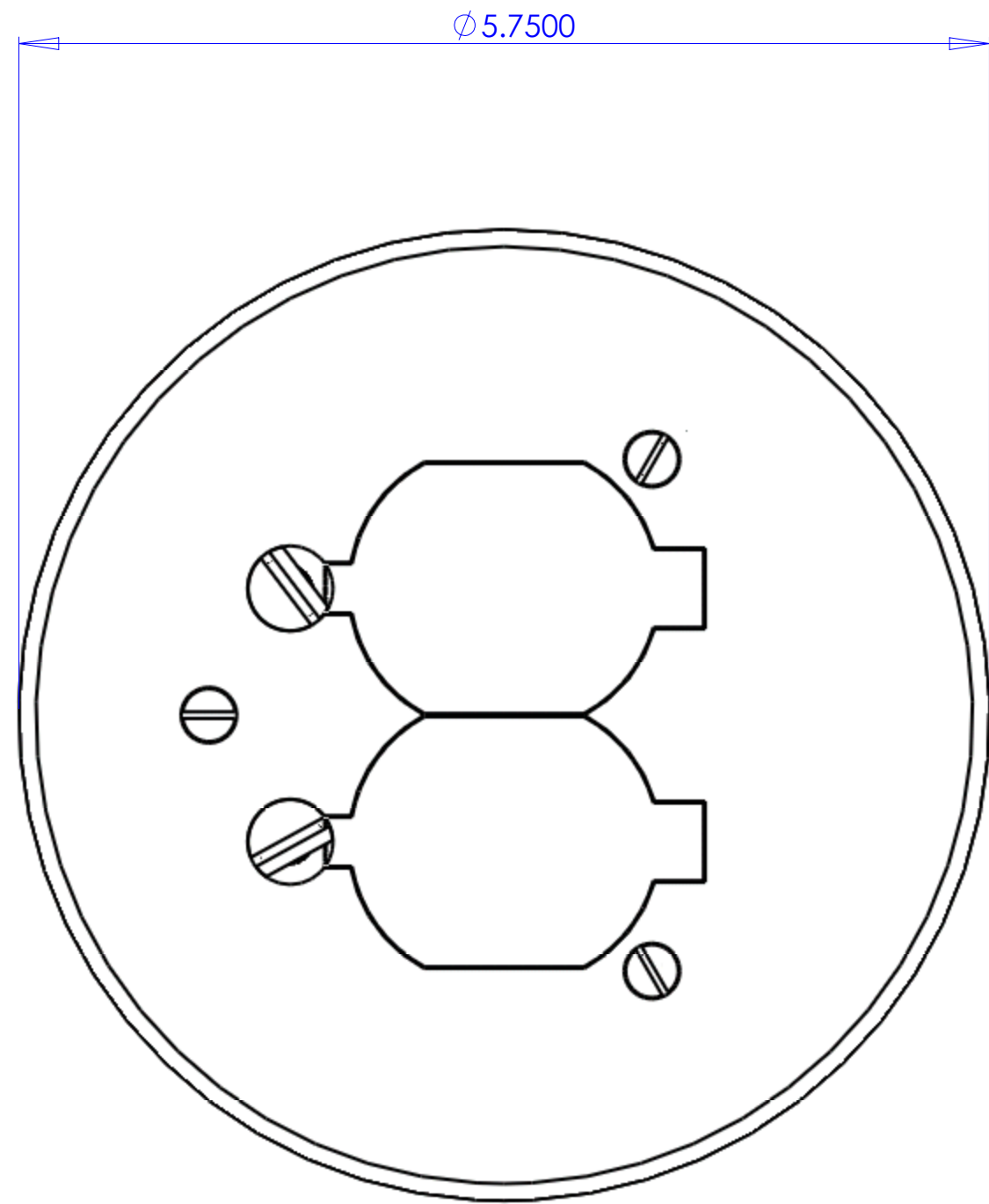


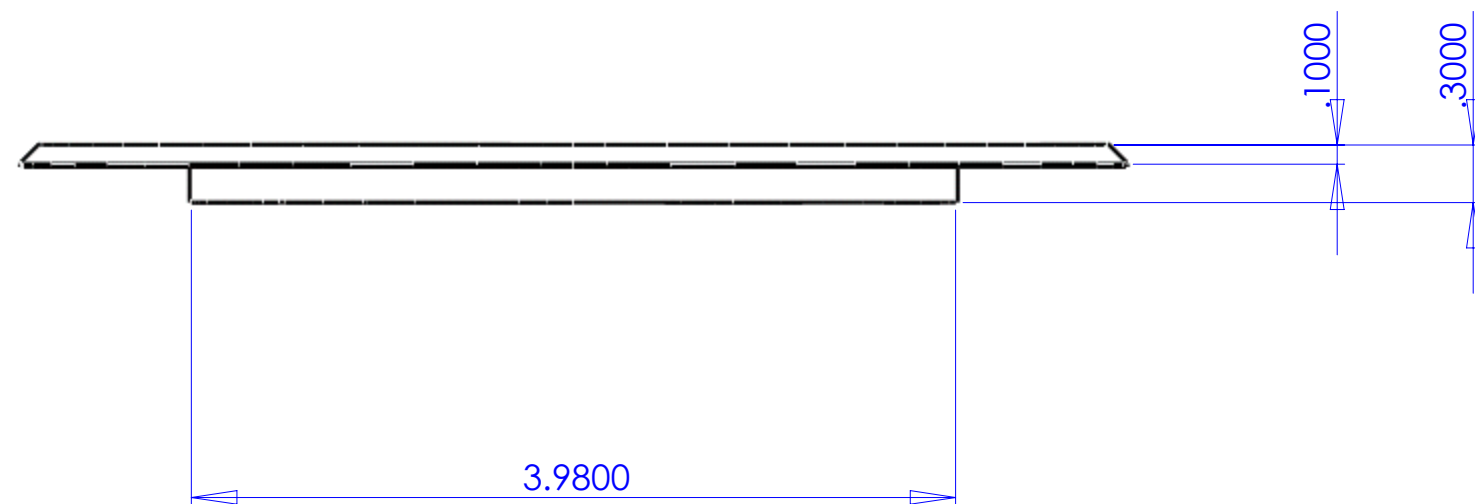
DESCRIPTION:
ALUMINUM, 5 3/4 SEAMLESS FLANGED COVER WITH DUAL FLIP
LID AND DUPLEX MOUNT




ALUMINUM, [3] 8-32 X .75 FLAT HEAD SCREW

DFB-2 RUBBER GASKET FOR DUPLEX

DFB-3 SHEET METAL MOUNTING PLATE FOR DUPLEX





**LEW ELECTRIC
FITTINGS COMPANY**
SERVING THE ELECTRICAL INDUSTRY SINCE 1901
371 Randy Rd, Carol Stream, IL 60188
PHONE: 630-665-2075

UNLESS OTHERWISE SPECIFIED:	NAME	DATE	
DIMENSIONS ARE IN INCHES TOLERANCES: FRACTIONAL ± ANGULAR: MACH ± BEND ± TWO PLACE DECIMAL ± THREE PLACE DECIMAL ±	DRAWN	P.J.G.	9/25/2007
INTERPRET GEOMETRIC TOLERANCING PER: MATERIAL	COMMENTS:		
FINISH			
DO NOT SCALE DRAWING			

TITLE:
TCP-2-LR-A

SIZE	DWG. NO.	REV
C	100122	A

WEIGHT: SHEET 1 OF 13